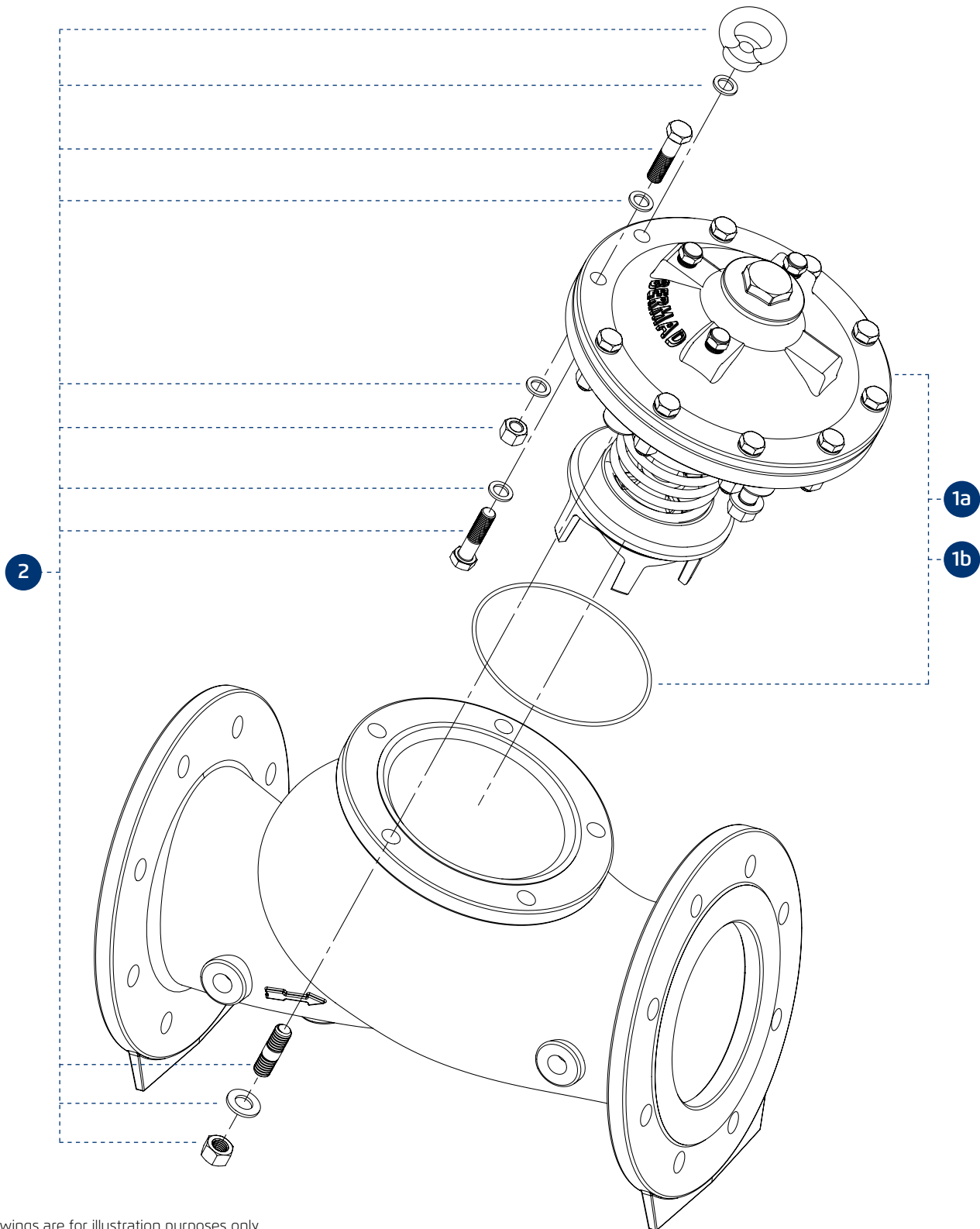


Exploded View



* Drawings are for illustration purposes only

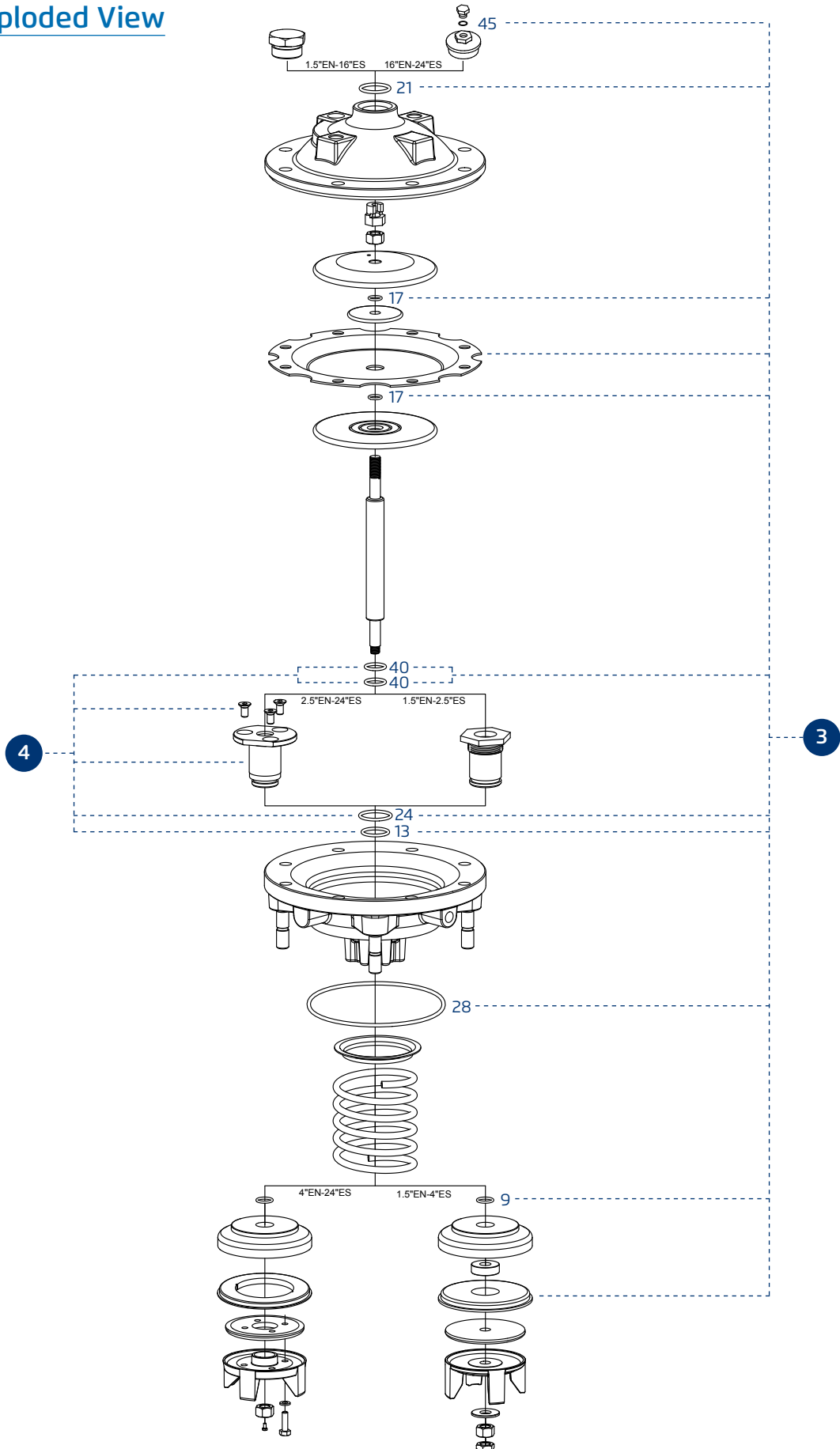
- Use this document for recommended spare parts of the 700 series valves which comply to NSF standard for drinking water systems and are with blue Epoxy coated ductile iron and synthetic rubber elastomers.
- Please contact BERMAD for any further inquiries.

Actuators & External Bolts

	Size	1a Actuator Assembly with V-port ⁽¹⁾	1b Actuator Assembly with Flat Disc ⁽¹⁾	2 External Bolts Kit
EN	1.5"-DN40	25201P7S95-B	25207P7S95-B	25200S000E
	2"-DN50	25201P7S95-B	25207P7S95-B	25200S000E
	2.5"-DN65	25250P1795-B	25250P0795-B	25250S000E
	3"-DN80	25300P1795-B	25300P0795-B	25300S000E
	4"-DN100	25400P1795-B	25400P0795-B	25400S000E
	6"-DN150	25600P1795-B	25600P0795-B	25600S000E
	8"-DN200	25800P1795-B	25800P0795-B	25800S000E
	10"-DN250	25010P1795-B	25010P0795-B	25010S000E
	12"-DN300	25120P1795-B	25120P0795-B	25120S000E
	16"-DN400	25160P1795-B	25160P0795-B	25160S000E
ES	2.5"-DN65	25201P7S95-B	25207P7S95-B	25200S000E
	3"-DN80	25250P1795-B	25250P0795-B	25250S000E
	4"-DN100	25300P1795-B	25300P0795-B	25300S000E
	6"-DN150	On Request	On Request	25600SE50E
	8"-DN200	25600P1795-B	25600P0795-B	25600S000E
	10"-DN250	25800P1795-B	25800P0795-B	25800S000E
	12"-DN300	25010P1795-B	25010P0795-B	25010S000E
	14"-DN350	25120P1795-B	25120P0795-B	25120S000E
	16"-DN400	25120P1795-B	25120P0795-B	25120S000E
	18"-DN450	25160P1795-B	25160P0795-B	25160S000E
	20"-DN500	25160P1795-B	25160P0795-B	25160S000E
	24"-DN600	25160P1795-B	25160P0795-B	25160S000E
700-00	1.5"-DN40	25200P1795-B	25200P0795-B	25200S000E
	2"-DN50	25200P1795-B	25200P0795-B	25200S000E
	2.5"-DN65 grooved	25201P7S95-B	25207P7S95-B	25200S000E
	2.5"-DN65	25200P1795-B	25200P0795-B	25200S000E
	3"-DN80	25300P1795-B	25300P0795-B	25300S000E
	4"-DN100	25400P1795-B	25400P0795-B	25400S000E
	6"-DN150	25600P1795-B	25600P0795-B	25600S000E
	8"-DN200	25800P1795-B	25800P0795-B	25800S000E
	10"-DN250	25010P1795-B	25010P0795-B	25010S000E
	12"-DN300	25120P1795-B	25120P0795-B	25120S000E
	14"-DN350	25120P1795-B	25120P0795-B	25120S000E
	16"-DN400	25160P1795-B	25160P0795-B	25160S000E
	18"-DN450	25160P1795-B	25160P0795-B	25160S000E
	20"-DN500	25160P1795-B	25160P0795-B	25160S000E

⁽¹⁾ Drinking water compatible (NSF approval) single chamber actuator assemblies with blue Epoxy coated ductile iron and synthetic rubber elastomers - up to 400 psi.

Actuator Exploded View



* Drawings are for illustration purposes only

Elastomers and Bearing

	Size	3 Elastomers Kit ⁽²⁾	4 Bearing Kit/Assembly ⁽²⁾
EN	1.5"-DN40	2520-ESWDF	2520056392
	2"-DN50	2520-ESWDF	2520056392
	2.5"-DN65	2525-00WDF	2525056523-KIT
	3"-DN80	2530-00WDF	2530056523-KIT
	4"-DN100	2540-00WDF	2530056523-KIT
	6"-DN150	2560-00NDW	2560056523-KIT
	8"-DN200	2580-00NDW	2580056523-KIT
	10"-DN250	2501-00NDW	2501056523-KIT
	12"-DN300	2512-00NDW	2512056523-KIT
	16"-DN400	2516-00NDW	2516056523-KIT
ES	2.5"-DN65	2520-ESWDF	2520056392
	3"-DN80	2525-00WDF	2525056523-KIT
	4"-DN100	2530-00WDF	2530056523-KIT
	6"-DN150	2560-ESNDW	2560S050523-KIT
	8"-DN200	2560-00NDW	2560056523-KIT
	10"-DN250	2580-00NDW	2580056523-KIT
	12"-DN300	2501-00NDW	2501056523-KIT
	14"-DN350	2512-00NDW	2512056523-KIT
	16"-DN400	2512-00NDW	2512056523-KIT
	18"-DN450	2516-00NDW	2516056523-KIT
	20"-DN500	2516-00NDW	2516056523-KIT
	24"-DN600	2516-00NDW	2516056523-KIT
700-00	1.5"-DN40	2520-00WDF	2520056392
	2"-DN50	2520-00WDF	2520056392
	2.5"-DN65 grooved	2520-ESWDF	2520056392
	2.5"-DN65	2520-00WDF	2520056392
	3"-DN80	2530-00WDF	2530056523-KIT
	4"-DN100	2540-00WDF	2530056523-KIT
	6"-DN150	2560-00NDW	2560056523-KIT
	8"-DN200	2580-00NDW	2580056523-KIT
	10"-DN250	2501-00NDW	2501056523-KIT
	12"-DN300	2512-00NDW	2512056523-KIT
	14"-DN350	2512-00NDW	2512056523-KIT
	16"-DN400	2516-00NDW	2516056523-KIT
	18"-DN450	2516-00NDW	2516056523-KIT
	20"-DN500	2516-00NDW	2516056523-KIT

⁽²⁾ Drinking water compatible (NSF approval) with synthetic rubber elastomers - up to 400 psi.

O-rings Size (Parker No.)

	Size	45	21	17	40	24	13	28	9	43 ⁽³⁾
EN	1.5"-DN40	N/A	2-119	2-012	5-617	2-020	2-018	2-232	2-012	2-011
	2"-DN50	N/A	2-119	2-012	5-617	2-020	2-018	2-232	2-012	2-011
	2.5"-DN65	N/A	2-119	2-012	5-617	2-120	2-118	2-237	5-617	2-011
	3"-DN80	N/A	2-119	2-012	5-617	2-121	2-118	2-237	2-012	2-011
	4"-DN100	N/A	2-119	2-012	5-617	2-121	2-118	2-246	5-617	2-011
	6"-DN150	N/A	2-227	5-617	2-212	2-126	2-124	2-364	2-212	2-011
	8"-DN200	N/A	2-227	2-116	2-216	2-130	2-127	2-372	2-216	2-011
	10"-DN250	N/A	2-227	2-118	2-218	2-132	2-130	2-379	2-218	2-011
	12"-DN300	N/A	2-227	2-120	2-326	2-139	2-227	2-456	2-223	2-011
	16"-DN400	2-119	2-236	2-223	2-333	2-238	2-340	2-466	2-230	2-011
ES	2.5"-DN65	N/A	2-119	2-012	5-617	2-020	2-018	2-232	2-012	2-011
	3"-DN80	N/A	2-119	2-012	5-617	2-120	2-118	2-237	5-617	2-011
	4"-DN100	N/A	2-119	2-012	5-617	2-121	2-118	2-237	2-012	2-011
	6"-DN150	N/A	2-227	5-617	2-212	2-126	2-124	2-359	2-212	2-011
	8"-DN200	N/A	2-227	5-617	2-212	2-126	2-124	2-364	2-212	2-011
	10"-DN250	N/A	2-227	2-116	2-216	2-130	2-127	2-372	2-216	2-011
	12"-DN300	N/A	2-227	2-118	2-218	2-132	2-130	2-379	2-218	2-011
	14"-DN350	N/A	2-227	2-120	2-326	2-139	2-227	2-456	2-223	2-011
	16"-DN400	N/A	2-227	2-120	2-326	2-139	2-227	2-456	2-223	2-011
	18"-DN450	2-119	2-236	2-223	2-333	2-238	2-340	2-466	2-230	2-011
	20"-DN500	2-119	2-236	2-223	2-333	2-238	2-340	2-466	2-230	2-011
24"-DN600	2-119	2-236	2-223	2-333	2-238	2-340	2-466	2-230	2-011	
700-00	1.5"-DN40	N/A	2-119	2-012	5-617	2-020	2-018	2-232	2-012	2-011
	2"-DN50	N/A	2-119	2-012	5-617	2-020	2-018	2-232	2-012	2-011
	2.5"-DN65	N/A	2-119	2-012	5-617	2-020	2-018	2-232	2-012	2-011
	3"-DN80	N/A	2-119	2-012	5-617	2-121	2-118	2-237	2-012	2-011
	4"-DN100	N/A	2-119	2-012	5-617	2-121	2-118	2-246	5-617	2-011
	6"-DN150	N/A	2-227	5-617	2-212	2-126	2-124	2-364	2-212	2-011
	8"-DN200	N/A	2-227	2-116	2-216	2-130	2-127	2-372	2-216	2-011
	10"-DN250	N/A	2-227	2-118	2-218	2-132	2-130	2-379	2-218	2-011
	12"-DN300	N/A	2-227	2-120	2-326	2-139	2-227	2-456	2-223	2-011
	14"-DN350	N/A	2-227	2-120	2-326	2-139	2-227	2-456	2-223	2-011
	16"-DN400	2-119	2-236	2-223	2-333	2-238	2-340	2-466	2-230	2-011
	18"-DN450	2-119	2-236	2-223	2-333	2-238	2-340	2-466	2-230	2-011
20"-DN500	2-119	2-236	2-223	2-333	2-238	2-340	2-466	2-230	2-011	

⁽³⁾ Relevant only for actuators with an indicator rod i.e.: I, S

Additional Attributes



	Size	Position Indicator Assy.- I	Single Limit Switch Assy.- S	Double Limit Switch Assy.- SS	Flow Stem Assy.- M
EN	1.5"-DN40	25300S6394	25200S6394	2520006362	25200S6093
	2"-DN50	25300S6394	25200S6394	2520006362	25200S6093
	2.5"-DN65	25300S6394	25200S6394	2520006362	25200S6093
	3"-DN80	25300S6394	25200S6394	2520006362	25200S6093
	4"-DN100	25300S6394	25200S6394	2520006362	25200S6093
	6"-DN150	25600S6360	25600S6394	2560006362	25600S6093
	8"-DN200	25600S6360	25600S6394	2580006362	25600S6093
	10"-DN250	25010S6360	25010S6394	2580006362	25010S6093
	12"-DN300	25010S6360	25010S6394	2580006362	25010S6093
16"-DN400	25160S6360	25160S6394	2516006362	25160S6093	
ES	2.5"-DN65	25300S6394	25200S6394	2520006362	25200S6093
	3"-DN80	25300S6394	25200S6394	2520006362	25200S6093
	4"-DN100	25300S6394	25200S6394	2520006362	25200S6093
	6"-DN150	25600S6360	25600S6394	2560006362	25600S6093
	8"-DN200	25600S6360	25600S6394	2560006362	25600S6093
	10"-DN250	25600S6360	25600S6394	2580006362	25600S6093
	12"-DN300	25010S6360	25010S6394	2580006362	25010S6093
	14"-DN350	25010S6360	25010S6394	2580006362	25010S6093
	16"-DN400	25010S6360	25010S6394	2580006362	25010S6093
	18"-DN450	25160S6360	25160S6394	2516006362	25160S6093
	20"-DN500	25160S6360	25160S6394	2516006362	25160S6093
24"-DN600	25160S6360	25160S6394	2516006362	25160S6093	
700-00	1.5"-DN40	25300S6394	25200S6394	2520006362	25200S6093
	2"-DN50	25300S6394	25200S6394	2520006362	25200S6093
	2.5"-DN65	25300S6394	25200S6394	2520006362	25200S6093
	3"-DN80	25300S6394	25200S6394	2520006362	25200S6093
	4"-DN100	25300S6394	25200S6394	2520006362	25200S6093
	6"-DN150	25600S6360	25600S6394	2560006362	25600S6093
	8"-DN200	25600S6360	25600S6394	2580006362	25600S6093
	10"-DN250	25010S6360	25010S6394	2580006362	25010S6093
	12"-DN300	25010S6360	25010S6394	2580006362	25010S6093
	14"-DN350	25010S6360	25010S6394	2580006362	25010S6093
	16"-DN400	25160S6360	25160S6394	2516006362	25160S6093
	18"-DN450	25160S6360	25160S6394	2516006362	25160S6093
20"-DN500	25160S6360	25160S6394	2516006362	25160S6093	