

New from BERMAD Irrigation Manifold Solution



**MEASURE
EVERY DROP.
MAXIMIZE
EVERY CROP.**



Smart irrigation management with built-in metering

MANIFOLD SYSTEM

MODULATED 3" MANIFOLD SYSTEM

The new Irrigation Manifold Solution offers precise volumetric monitoring, enabling efficient irrigation. This system empowers users to detect various issues such as blockages, leaks, and damage, thereby optimizing performance and minimizing crop yield loss. Designed for optimal performance, the manifold solution enhances water distribution efficiency by precisely monitoring volumetric flow rates. Its advanced design ensures minimal water waste, optimizes system operation, and improves overall irrigation performance, resulting in crop protection and reduced water usage.

All images in this catalogue are for illustration only

Features and Benefits

The Irrigation Manifold Solution is engineered for reliability in Australian climate conditions. It simplifies the design, installation, and management of complex irrigation systems, making it easier for users to implement and maintain. The M10 Bermad MagFlow water meter, featuring polymeric construction, offers exceptional durability and corrosion resistance. Its unique zero diameter before and after installation requirements make it a versatile option for various applications. Additionally, the M10 MagFlow meter is lightweight, which facilitates easier handling and installation. With its digital outputs, it seamlessly integrates with farm control systems, enabling precise data transmission for real-time monitoring and control of irrigation systems. The Bermad 100 series valves are known for their high quality and performance, making them a market-leading choice in the industry. Together, the M10 MagFlow meter and Bermad 100 series valves provide a comprehensive and reliable solution for efficient irrigation management. All these components are integrated into a single package, offering simplicity and ease of use for the design, installation, and management of irrigation systems.



- [1] C-10 – 2" Combination Air Valve
- [2] M-10 – 3" Composite Electromagnetic Flowmeter
- [3] 12T-3" – 3" 100 Series Top Pilot Pressure Reducing Valve
- [4] K-10 – 1" Kinetic Air Valve

Technical Data

Pressure Rating: 10 bar; 145 psi

Operating Pressure Range: 0.5-10 bar; 7-145 psi

KV per valve: 100m³/h

Manifold Material: PP

Typical Applications

The Irrigation Manifold Solution is ideal for micro irrigation systems using drip or spray irrigation that require pressure regulation.



Additional features

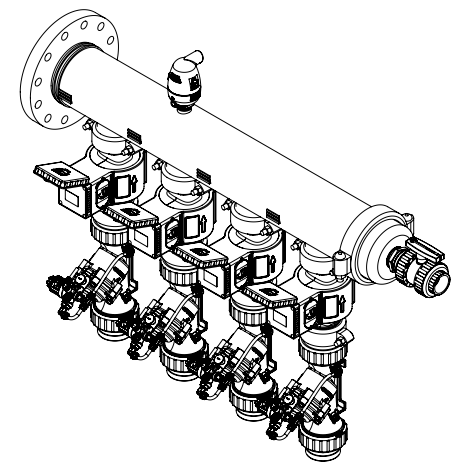
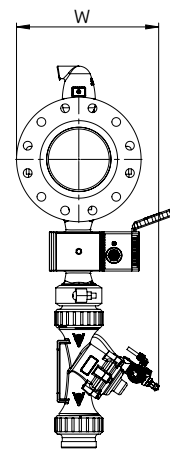
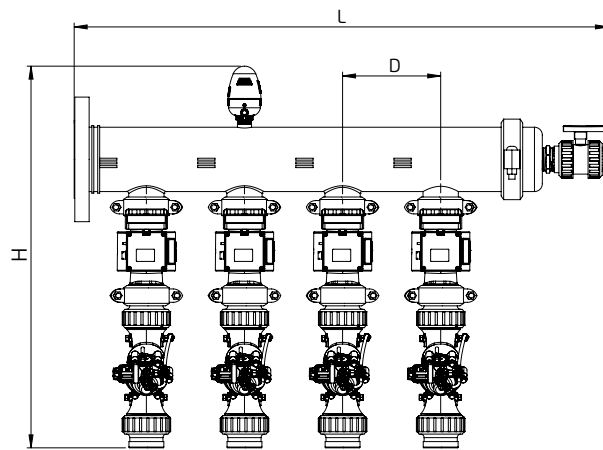
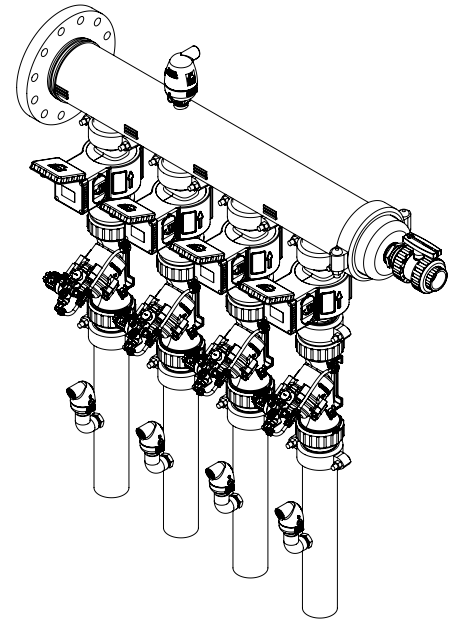
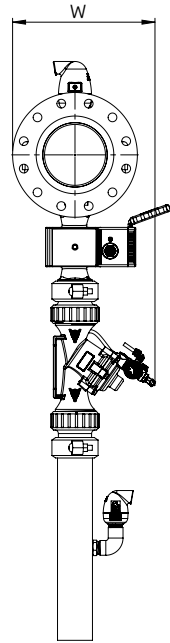
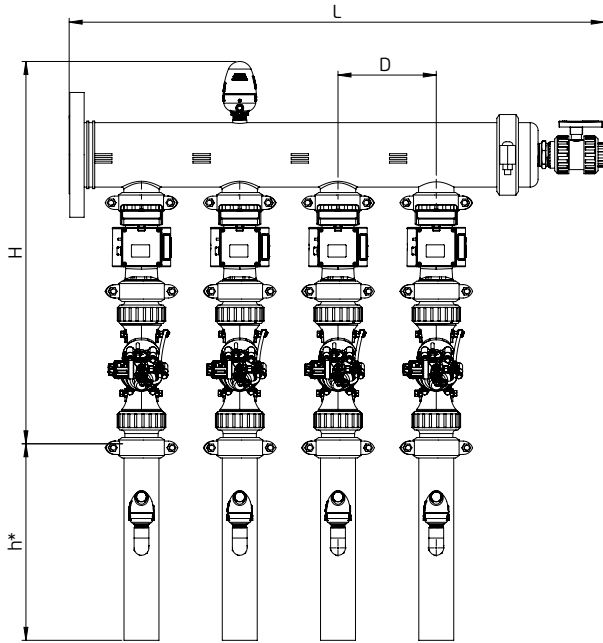
Omega is BERMAP's advanced cloud-based irrigation controller, offering anywhere-anytime connectivity to your irrigation system using the BERMAP Cloud as well as our smartphone app for local operation.

Omega is a standalone, battery-operated controller, designed specifically to provide a user-friendly and cost-effective solution for irrigation systems, water distribution, data acquisition, and pre-paid systems (districts & consortiums).

When combined with the BERMAP IMS, Omega transforms into a powerful all-in-one automated control system with volumetric monitoring and the capability of pressure sensing.

Models Size chart

Model A – Water meter for each line



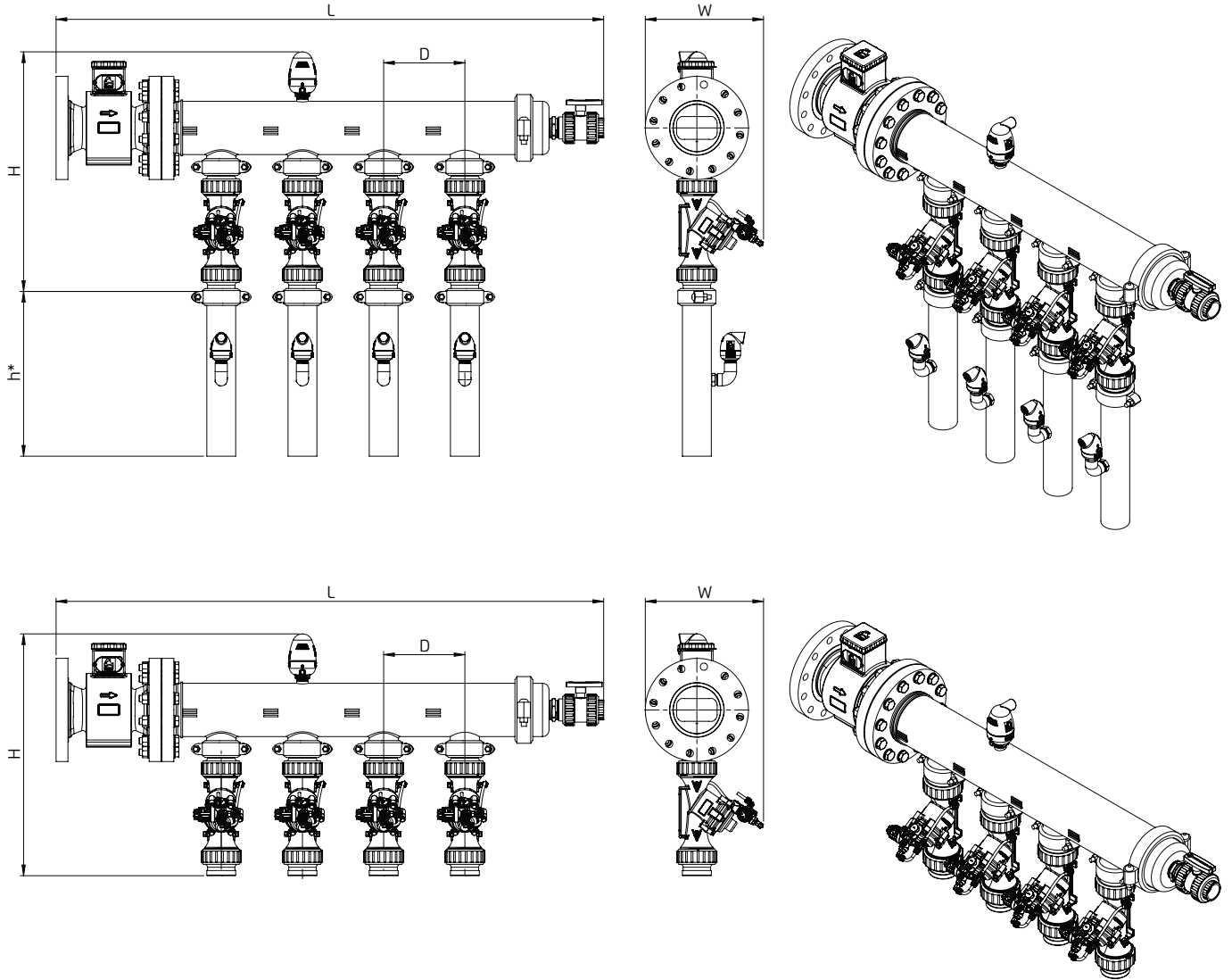
Model	2 valves	3 valves	4 valves	6 valves
L	806	1056	1306	1806
H	1009	1009	1009	1009
h*	915**	915**	915**	915**
W	363	363	363	363
D	250	250	250	250

* Optional

** Can be cut and shortened according to customer's wishes

Models Size chart

Model B – Main water meter for the system



Model	2 valves	3 valves	4 valves	6 valves
L	806	1056	1306	1806
H	1009	1009	1009	1009
h*	915**	915**	915**	915**
W	363	363	363	363
D	250	250	250	250

* Optional

** Can be cut and shortened according to customer's wishes

