

EX. PROOF-EX D PROXIMITY LIMIT SWITCH

Model S9/SS9

This Limit Switch Assembly enables remote signaling upon the opening or closing of BERMAD Deluge and Water Control Valves. It is equipped with one or two switches [6] actuated by the opening or closing of the valve. The proximity sensor within the switch is hermetically sealed and responds by its proximity to a ferromagnetic target [3] attached to the valve's indicator stem. This limit switch assembly is suitable for harsh environments, constructed entirely of 316 stainless steel, and equipped with a rigid proximity magnetic switch sensor. The switch is suitable for hazardous locations, ATEX certified for Category II 2G EEx d IIC T6 and UL-Listed for Class I, Division 1, Groups A, B, C, D and Class II, Division 1, Groups E, F, G to NEC 500, NEMA 4,4X, 7, 9. The switch is equipped with Tungsten contacts and is electrically rated for 2 Amps at 24VDC.

Single limit switch assembly:

- Equipped with one or two SPDT switches, signaling closed or open and closed valve position

Technical Data

- All Stainless steel 316, corrosion-resistant
- Magnetic proximity switch sensor
- ATEX, UL and Inmetro certified for Zone 1
- Hermetically Sealed dry contact - Improves Safety
- SPDT (single pole double throw), 1NO, 1NC
- Tungsten contacts
- Galvanized isolated
- IP 67 rated
- 3 Amps / 120VAC, 1.5 Amps / 240VAC, 2 Amps / 24 VDC rated
- Sensor rated temperature: -30 to +90°C

Features

- Rigid construction
- Vibration resistant technology
- Switching element with snap-action contact

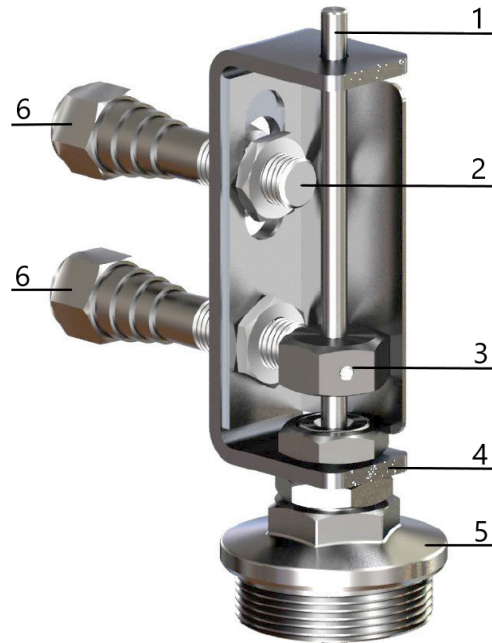
Materials of Construction

Stainless steel 316

Wetted parts: Stainless steel 316

Optional Materials for Wetted Parts

Ni.Al.Bronze and Monel, Hastelloy C276



Part	Description
1	Indicator
2	Sensor
3	Target
4	Bracket
5	Valve plug
6	Limit switch