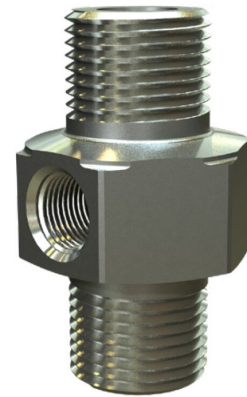




# PRIMING RESTRICTION

## Model PR

The Priming Restriction is a flow restriction component used as an integral orifice in the control trim of BERMAD Deluge Valves. In addition it incorporates two 1/4" NPT (F) ports to enable a priming pressure connection to supplementary instruments like a solenoid or relay valve. The internal restriction orifice is available in a number of diameters, each suited to a particular valve/pilot. To facilitate assembly the notching [2 in the cross section opposite] indicates on which side of the priming restriction the restriction orifice [1] is located.



### Technical Data

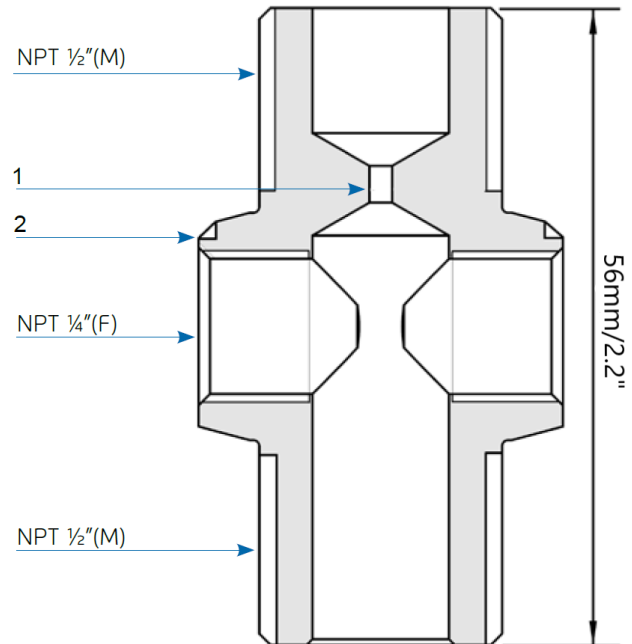
**Pressure Rating:** 25 bar

**Standard Materials:**

**Body:** St. St. 316

**Optional Materials:**

**Body:** Nickel Aluminum Bronze, Duplex, Monel.



Part	Description
1	Restriction Orifice
2	Notching

