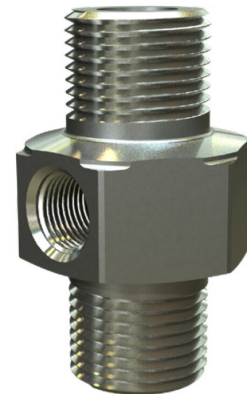




PRIMING RESTRICTION

Model PR

The Priming Restriction is a flow restriction component used as an integral orifice in the control trim of BERMAD Deluge Valves. In addition it incorporates two ¼" NPT (F) ports to enable a priming pressure connection to supplementary instruments like a solenoid or relay valve. The internal restriction orifice is available in a number of diameters, each suited to a particular valve/pilot. To facilitate assembly the notching [2 in the cross section opposite] indicates on which side of the priming restriction the restriction orifice [1] is located.



Technical Data

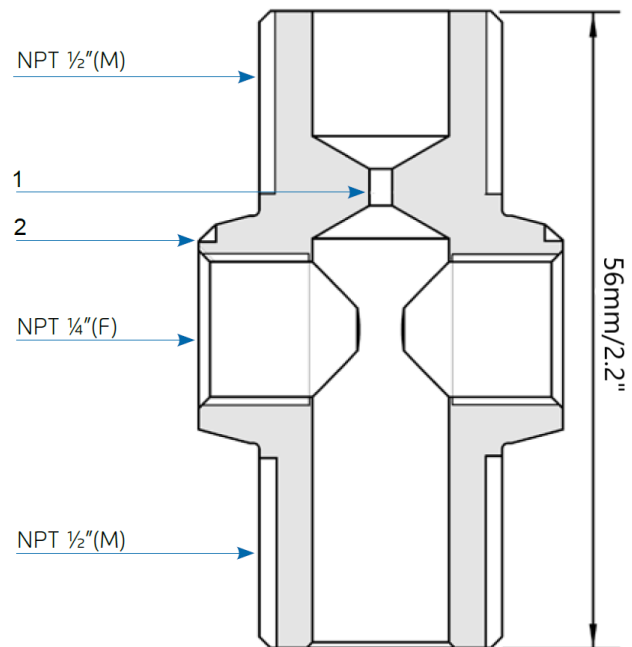
Pressure Rating: 365 psi

Standard Materials:

Body: St. St. 316

Optional Materials:

Body: Nickel Aluminum Bronze, Duplex, Monel.



Part	Description
1	Restriction Orifice
2	Notching

