

# STAINLESS STEEL PRESSURE SWITCH E XD

## Model PS-RV

The PS-RV is an adjustable Pressure Switch for use with BERMAD Deluge and control valves, to indicate the current pressure level. This Pressure Switch offers reliability, repeatability and durability in a compact design. It is suited for operation under the harsh conditions of Zone 1, II 2 G/D Ex d IIC T6 certified for hazardous locations and SIL 2 safety related systems. At the heart of the PS-RV is a snap action Diaphragm assembly, which transfers pressure derived motion to one SPDT (Single- Pole Double-Throw) micro- switch. Suitable for use with water, air or nitrogen pressure sensing in harsh or hazardous environments as in chemical plants, refineries, gas and petroleum installations offshore and marine vessels.

### Features

- Solid, Single Piece Construction
- Stainless Steel Enclosure
- Pre-Wired Integral Terminal Box
- Safety Vented Design
- Functional Safety Certified as per IEC 61508-2 for use in
- SIL 2 safety systems
- Field Adjustable
- One SPDT (Single-Pole Double-Throw) micro-switch
- Welded Diaphragm
- IP66/NEMA 4x suitable for harsh environments
- NACE MR 01-75 complaint with PS-RVM22SDE02F model

### Approvals

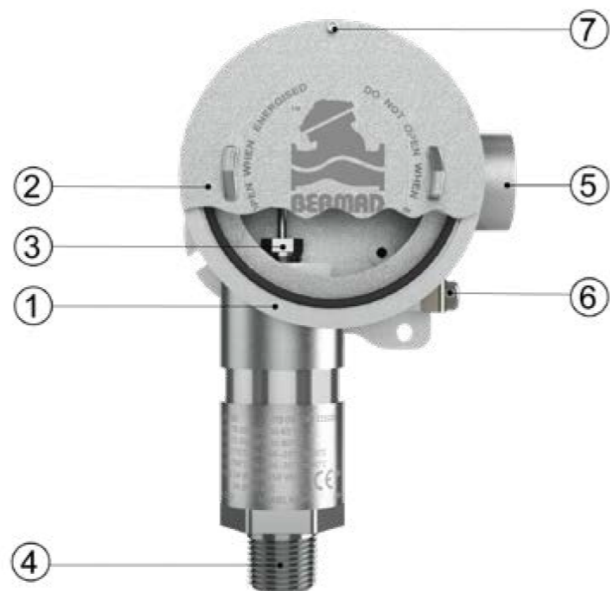
- ATEX directive 2014/34/EU II2DG Ex d IIC T6
- CE LVD- Low Voltage Directive 2014/35/EU
- Pressure Equipment Directive (PED) 97/23/EU
- IECEx Certified

### Materials

- Wetted parts: Stainless Steel 316 or Monel 400
- Housing: Stainless Steel 316
- Diaphragm: Stainless Steel 316 or Monel 400

### End Connections

- Pressure / Process (sensor): ½" NPT (M)
- Electric Cable Entry Port: ½" NPT (F)



Part	Description
1	Housing
2	Cover
3	Adjusting screw
4	Pressure sensing connection
5	Electric port entry
6	Grounding screw
7	Terminal box fixing screw (HEX 1.5mm)



**Pressure Setting & Range**

- Factory Set: 2.5 bar high, 2.2 bar low
- Adjustable range: 1.0 to 6.0 bar (15 to 85 psi)
- Dead band: 0.23 bar low (3.3 psi)
- Set point repeatability: ±1% of adjustable range
- Max. Working Pressure: 27 bar (390 psi)

**Enclosures Class**

- ATEX ZONE 1 Classification II 2 G/D Ex d IIC T6 Certified
- IECEx FLAMEPROOF IEC60079-0/1/31
- NEMA 4x / IP66 Weatherproof

**Electrical Ratings**

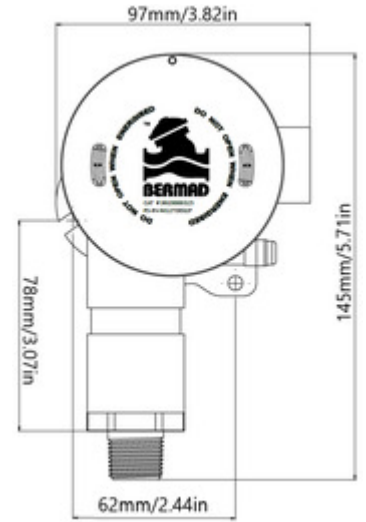
- 5A@110/250 VAC & 2A@30 VDC
- Silver contacts

**Ambient Temperature**

- Storage and operation: -30°C to +60°C (-22°F to +140°F)

**Weight**

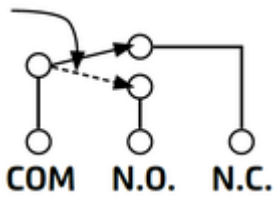
- 1.5kg / 3.3lbs



**Model Selection Table:**

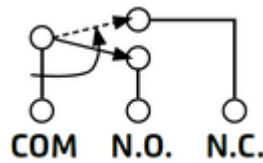
Model	Wetted Parts	Enclosure	Sensor
PS-RVS	SS316	SS316	one SPDT
PS-RVT	Monel 400	SS316	one SPDT

**Switch Termination:**



Increasing system pressure

TYPICAL WATERFLOW ALARM



Decreasing System Pressure

TYPICAL LOW PRESSURE SUPERVISION

