



2-WAY HYDRAULIC RELAY VALVE

Model HRV-2

The BERMAD HRV-2 is a 2-Way hydraulic pressure operated relay valve, used for the release, closing and opening of BERMAD deluge valves. The HRV-2 will close in response to pressure being supplied to its control chamber, keeping the deluge valve closed. Upon pressure release from the control chamber the HRV-2 will open, facilitating a quick opening response of the main deluge valve. The HRV's simple design enables safe reliable operation with a low control pressure with compact dimensions. The HRV-2 has been specifically designed for Fire Safety systems in that it has no mechanical friction of the internal parts, greatly increasing reliability. This also makes it ideal for use with corrosive fluids such as firewater, brackish or seawater. The HRV-2 Type B incorporates two outlet connections, enabling either a straight or an angular flow configuration.

Features and Benefits

- Frictionless operation: increases safety and reliability
- Well suited for use with sea-water and corrosive fluids
- Heavy duty construction: Suitable for the harsh conditions of chemical and offshore facilities
- Corrosion resistant construction materials

Models and Material Selection

Model HRV-2-N-B SS316 Construction

Body: ASTM A351 Gr. CF8M Type 316
 Cover: ASTM A351 Gr. CF8M Type 316
 Elastomers: NBR

Internals: Stainless Steel 316
 Spring: Stainless Steel 316

Model HRV-2-U-B NAB Construction

Body: Ni-Al-Bronze ASTM B171 C63000
 Cover: Ni-Al-Bronze ASTM B171 C63000
 Elastomers: NBR

Internals: Ni-Al-Bronze
 Spring: Hastelloy C276

Optional Materials

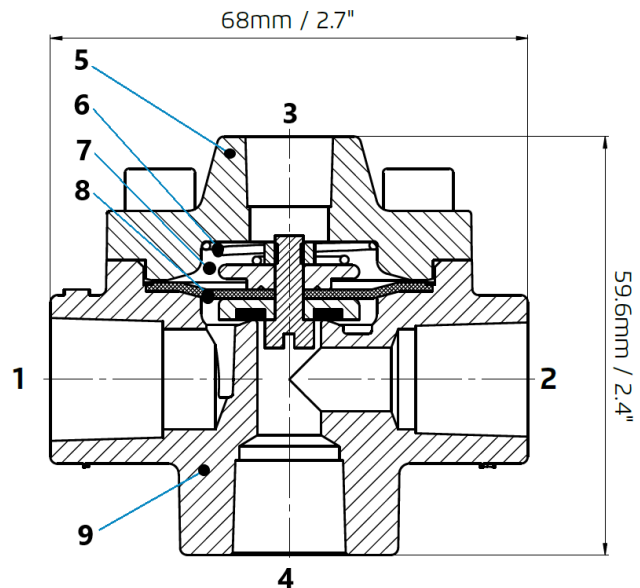
Super Duplex 25Cr
 Hastelloy
 Titanium



316 S.S. (std)



NAB



Part	Description
5	Cover
6	Spring
7	Control chamber
8	Diaphragm
9	Body

Port	Size	Connections
1	3/8" NPT	Inlet
2/4	3/8" NPT	Outlet
3	1/4" NPT	Control chamber

Technical Data

Orifice: 9 mm (0.354")
Pressure Rating: 25 bar (365 psi)
Temperature: Water up to 80°C (180°F)

Flow factor: KV 1.7 (CV 2.0)

Port Connections: Line pressure 3/8" NPT, Control 1/4" NPT

Weight: 0.6 kg / 1.3 lbs

