



EASYLOCK™ MANUAL RESET

Model EMR-C

The BERMAD EasyLock Manual Reset model EMR-C is an automatic Latching device that holds and latches the BERMAD Deluge valve in its open position when the valve has been activated by a releasing device. Once the deluge valve has opened, the EMR-C blocks the Deluge Valve priming line, preventing priming water from entering the valve control chamber and the releasing devices, latching the Deluge valve open. The EMR-C allows the deluge valve to close only upon a local reset, by manually pushing the Reset Knob. The EMR-C includes a spring loaded check valve using an elastomeric ball, providing a reliable and drip tight seal.



Features

- Automatically Operated by Line Pressure
- Safe Design: Elastomeric Moving Parts

Materials

- Body: Stainless Steel 316
- Stem: Stainless Steel 316
- EasyLock Ball: Synthetic Elastomer
- Springs: Stainless Steel 316

Hydraulic Data

- Pressure Rating: 25 bar / 365 psi
- Working Temperature: Water up to 80°C / 180°F
- Flow Factor: Kv 0.46 / Cv 0.54

Connections

- Inlet: ½" NPT male
- Outlets: ½" NPT female, 4 ports

Approvals ⁽¹⁾

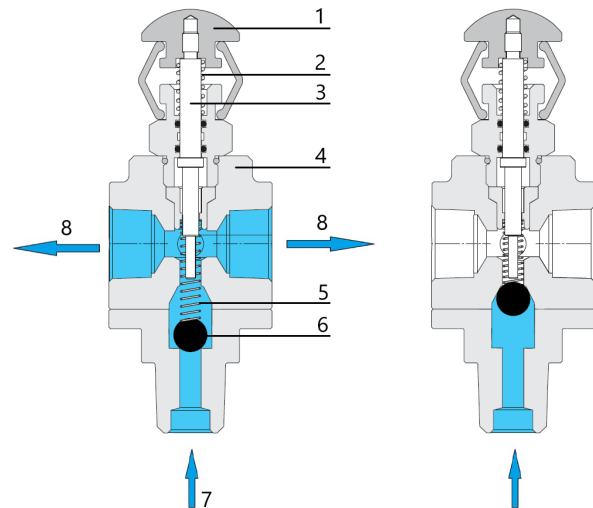
- UL Listed
- FM-Approved

Care and Maintenance

The BERMAD EMR-C is maintenance free under normal conditions, however, a Control Strainer with a filter of a minimum of 500 microns, should be installed upstream of the device in order to prevent residuals from entering the sealing area. The filter element should be cleaned after the first valve operation / start-up and at least quarterly.

Notes:

(1) Approved when installed on BERMAD Deluge Valves with specific trim model



Part	Description
1	Reset knob
2	Dry spring
3	Stem
4	Body
5	Wet spring
6	Easylock ball
7	Inlet
8	Outlet

