



BALL VALVES

Model BV

These ball valves are full bore 2-way floating ball type. They Provide quick, reliable and easy on/off control for manual release, isolation and drains. The valve body and internal parts are available in a range of materials for harsh environments and corrosive media applications.



Technical Data

Pressure rating:

27.5 bar / 400 psi

Ports:

¼", ⅜" & ½" NPT

¾", 1½" & 2" ISO 7/1 Rp (BSP.T)

Standard materials:

Body: Chrome plated brass

Ball: Chrome plated brass

Seals: PTFE & FPM

Handle: Galvanized Steel (vinyl grip)

Optional materials:

Stainless steel. AISI 316 / A351 CF8M

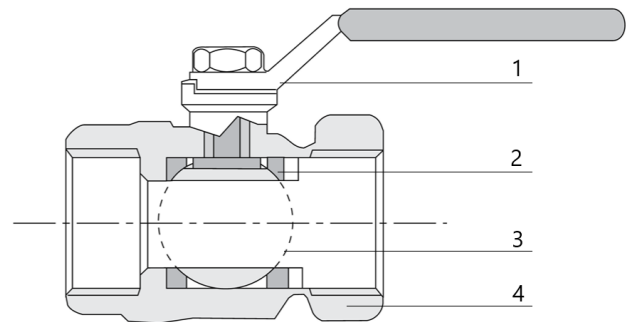
Nickel Aluminum Bronze. ASTM B148 C95800

Monel 400. ASTM B164

Approvals:

FM Approved*

UL Listed**



Part	Description
1	Handle
2	Seal
3	Ball
4	Body

Notes:

(*) FM-Approved when installed on specific Bermad deluge and water Control Valves.

(**) In accordance with UL subject 258 (Trim and Drain Valves), for Brass construction only.

