

# DIAPHRAGM TYPE, DIRECT ACTING PRESSURE RELIEF VALVE

## Model FP-3HC-0

The BERMAD model FP-3HC-0 is a direct acting, spring loaded, diaphragm type relief valve. The single port is held closed by the force of the adjustable spring located above the pressure sensing diaphragm. When the force of the pressure sensed under the diaphragm exceeds the force of the spring the valve will open to relieve pressure and will close tight when pressure falls below the pre-set value. This UL Listed and FM Approved valve is well suited for use in protecting wet sprinkler systems from overpressure occurring from temperature fluctuations and for fire pump casing relief as required by the NFPA 20 and NFPA 13 standards.

### Features

- Fast immediate response to pressure rise
- Easy in-field pressure setting adjustment
- UL/FM Approved
- Available in corrosion resistant materials
- Tamperproof cap

### Typical Applications

- Fire pump casing relief
- Thermal release for wet piping systems
- Pressurized sprinkler systems
- Pressure relief for pressure control valves
- Jockey pump overpressure

### Technical Data

**Pressure Rating:** 365 psi

**Water Temperature Range:** 180 °F

**Weight:** 7.5 Lbs

**Standard Materials:**

**Body:** Stainless Steel

**Cover:** Brass

**Elastomers:** NBR

**Internal Parts:** Stainless Steel & Brass

**Spring:** Galvanized Steel

**Optional Materials:**

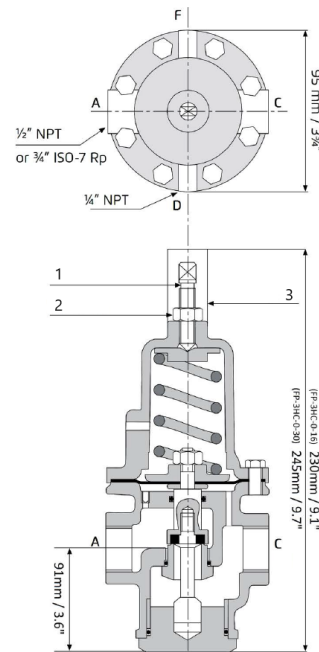
**Body:** Stainless Steel, Nickel Aluminum Bronze, Super Duplex

**Cover:** Stainless Steel, Nickel Aluminum Bronze, Super Duplex

**Internal Parts:** Stainless Steel, Nickel Aluminum Bronze, Hastelloy, Super Duplex

**Adjustment Range:**

Spring	Setting range
16	15-230 psi
25*	100-365 psi



Part	Description
1	Adjusting screw
2	Locking nut
3	Tamperproof cover

Port	Size	Connections
A	3/4" ISO-7-Rp	Outlet
C	3/4" ISO-7-Rp	Inlet
F & D	1/4" NPT	Pressure Gauge Port