



HIGH CAPACITY PRESSURE REDUCING PILOT VALVE

Model FP-2HC

The BERMAD FP#2HC is a High Capacity, direct acting and spring loaded diaphragm type, Pressure Reducing Pilot Valve. The single port is actuated by a pressure responsive spring loaded diaphragm, which tends to reach equilibrium with the adjustable pre-set spring force and thereby reducing the high inlet pressure to the chosen pre-set outlet pressure value. When installed as a Pressure Reducing pilot valve on BERMAD Water Control or Deluge valves, it automatically controls the main valve to reduce a higher inlet pressure to a lower pre-set outlet pressure, maintaining the chosen outlet pressure regardless of fluctuations in pressure or flow in the inlet supply line. The balanced poppet design ensures high accuracy and stability.

Features

- Internal or external pressure sensing
- Accurate & Stable
- Differential pressure sensing
- Optional remote sensing

Typical Applications

- 400Y Pressure control deluge valves 12-16" (model FP#2HC)
- 42T Pressure reducing valves 12-16" (model FP#2HC)
- Pressure Differential Control Valve (PDCV)

Technical Data

Pressure Rating: 365 psi

Water Temperature Range: 32-180 °F

Flow Factor: Cv 5.1

Weight: 7.5 Lbs

Standard Materials:

Body: Bronze

Cover: Brass

Elastomers: NBR

Internal Parts: Stainless Steel

Spring: Galvanized Steel

Optional Materials:

Body: Stainless Steel, Nickel Aluminum Bronze, Super Duplex

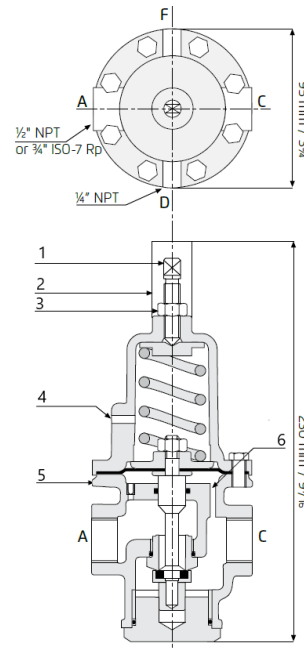
Cover: Stainless Steel, Nickel Aluminum Bronze, Super Duplex

Internal Parts: Nickel Aluminum Bronze, Duplex, Monel.

*Other materials are available on request

Adjustment Range:

Spring	Setting range
16	15-230 psi



Part	Description
1	Adjusting screw
2	Tamperproof cover
3	Locking nut
4	Optional differential sensing 1/8" NPT
5	Body
6	Internal sensing

Port	Size	Connections
D / F	1/4" NPT	Remote sensing (optional) or pressure gauge
C	1/2" NPT	Downstream
A	1/2" NPT	Inlet
C / A	3/4" BSP	Optional

