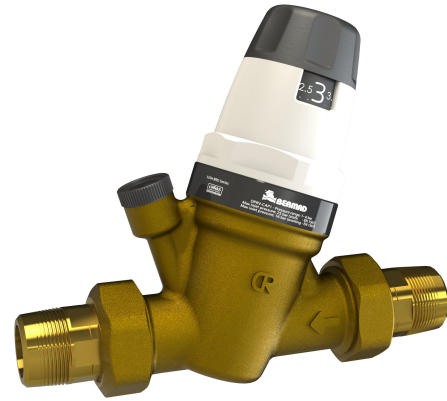


# DIRECT ACTING PRESSURE REDUCING VALVE

## Model DPRV-CAP1

Spring loaded, direct acting pressure reducing valve that reduces a high upstream pressure to a lower downstream pressure. The pre-calibrated device is easily adjustable using an adjustment knob with setting indicator. This model is often used as a low flow bypass on larger piloted pressure reducing valves like the BERMAD 720-2B or 420-2B. The BERMAD DPRV CAP1 is certified to meet EN 1567 and ASSE 1003 performance standards. Additionally, these valves are approved for potable water applications in compliance with WRAS, NSF 61, NSF 372, and other relevant certifications.



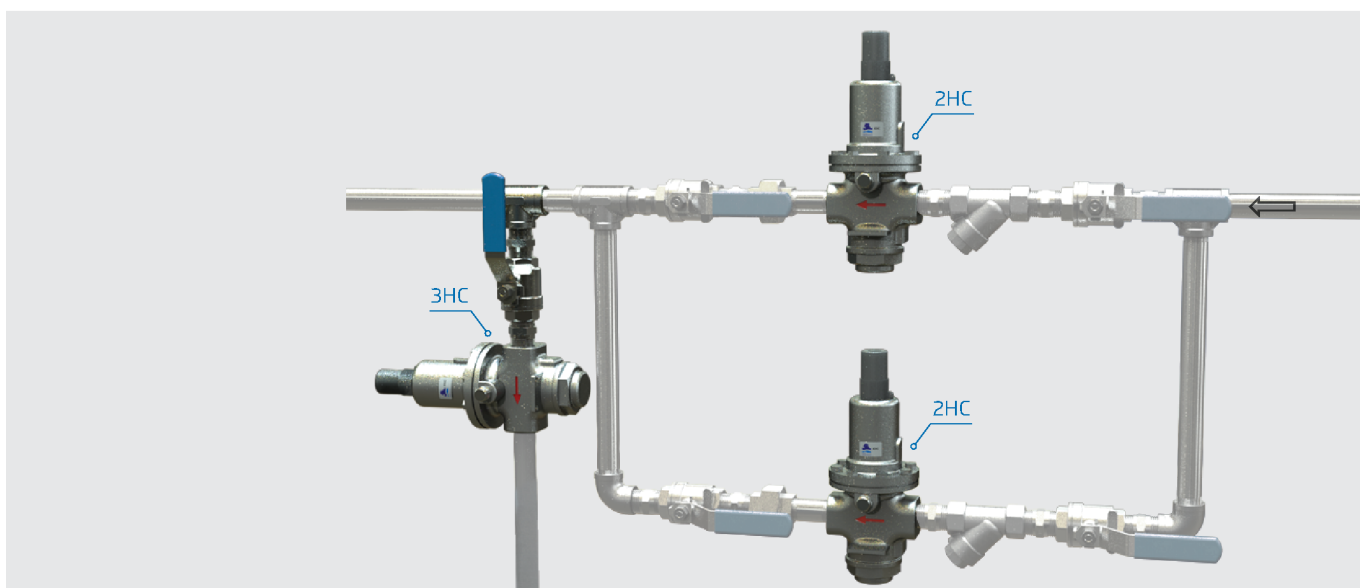
### Features

- Pre-assembled, self-contained cartridge with all adjustment components for quick, easy in-line replacement.
- Low-friction internal components minimize lime scale buildup and reduce risk of malfunctions.
- Balanced compensation chamber ensures stable downstream pressure despite upstream fluctuations.
- Compact Y-pattern design delivers high capacity.

### Typical Applications

- Low flow bypass for pilot-operated PRV.
- Ideal for reducing pressure in single-floor or single-house applications.

### Typical Installation



**Pressure reducing system** with redundancy featuring two BERMAD DPRV-2HC direct acting pressure reducing valves in parallel and BERMAD DPRV-3HC direct acting pressure relief valve.

### Operation

Upstream pressure is applied to the bottom of the diaphragm through an internal sensing port. So long as upstream pressure is less than or equal to the set-point of the valve, the relief valve is held closed by the force exerted by the spring on the top of diaphragm. When the pressure rises above the set-point, the pressure relief valve opens to relieve the upstream pressure. When the pressure has fallen back below the set-point, the valve will close drip tight. Turning the adjusting screw allows for pressure adjustment by varying the force the spring applies to the diaphragm.

### Technical Data

**Pressure Rating:** PN25, 400 psi

**End Connections:** 3/4" ISO-7 Rp, 1/2" NPT

**Working Temperature:** Water up to 80°C; 180°F

### Materials

**Body & Cover:** Stainless Steel 316

**Elastomers:** EPDM

**Internals:** Stainless Steel 316

**Spring:** Stainless Steel 316

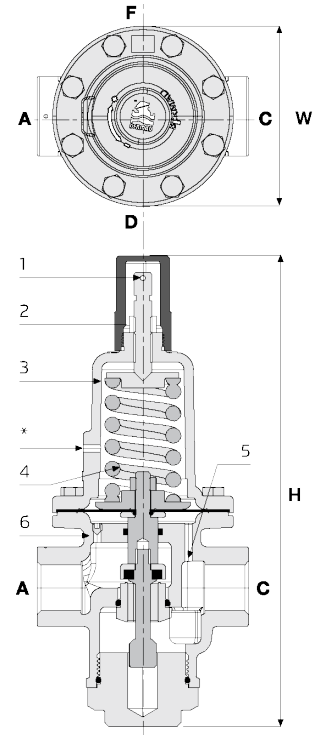
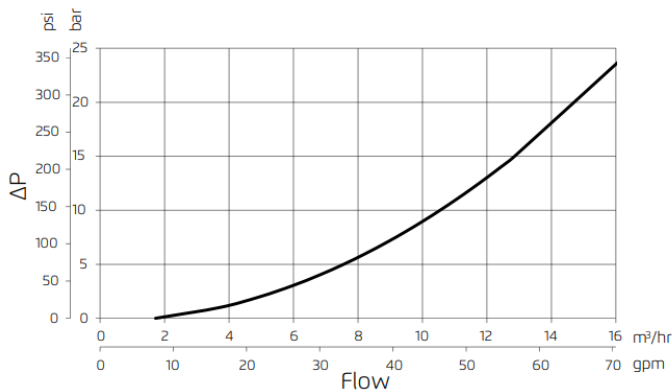
### Optional Materials

**Metal parts:** St. St 303, Nickel Aluminum Bronze, Super Duplex, Hastelloy

**Elastomers:** NBR, FPM (Viton®)

### Performance Data

Inlet Pressure / Maximum Discharge Flow Rate to Atmosphere(when the valve is fully open)



Part	Description
1	Adjusting screw
2	Locking nut
3	Cover
4	Spring
5	Internal sensing
6	Body

Port	Size	Connections
C	3/4" BSP	In
A	3/4" BSP	Out
F/D	1/4" NPT	pressure gauge

### Adjustment Range:

Model	Spring	Pressure range		1 Turn of adjusting screw = approx	
		bar	psi	bar	psi
3HC-WD-16-N (Standard)	16	1-16	15-230	2.2	31.3
3HC-WD-30-N	30	7-25	100-365	1.8	25.7