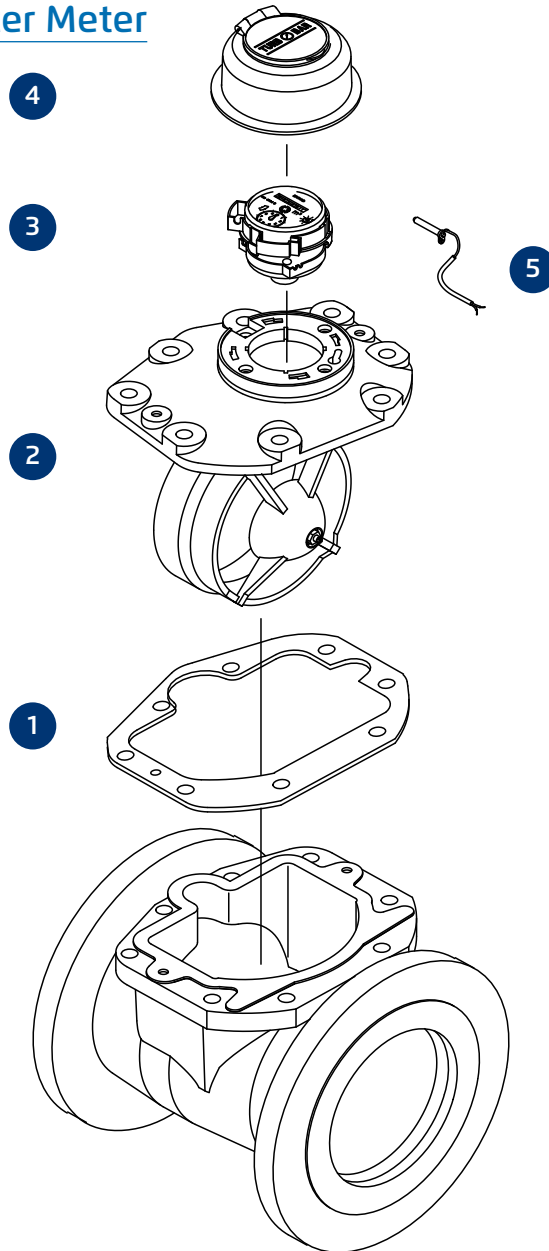


Woltman Turbo-Bar Water Meter



| Size | 1 Gasket | 2 Measuring element assy w/o register | 3(*) Register | 4 Register cover assy kit | 5 Reed Switch |
|-----------|------------|---------------------------------------|---------------|---------------------------|---------------|
| 1 ½"-DN40 | N/A | WM3X050W000 | ERPW000000_S | ER0000K002 | 16008M2285 |
| 2"-DN50 | | WM3X080W000 | | | |
| 2 ½"-DN65 | | | | | |
| 3"-DN80 | | | | | |
| 4"-DN100 | | | | | |
| 5"-DN125 | | | | | |
| 6"-DN150 | 9931503205 | WM3X150W000 | | | |
| 8"-DN200 | 9932503205 | WM3X250W000 | | | |
| 10"-DN250 | | WM3X400W000 | | | |
| 12"-DN300 | | | | | |
| 16"-DN400 | | | | | |
| 20"-DN500 | | WM3X500W000 | | | |

(*) Not programmed, please specify water meter model, diameter, pulse size and flow unit

* Drawings are for illustration purposes only