

POSITIONING PILOT VALVE

Model PBLX

This multi-purpose, direct acting, 3-Way positioning pilot is actuated by a pressure responsive diaphragm, which tends to reach equilibrium with the set spring force.

The pilot directs flow and pressure between its ports:

- When sensed pressure is above set point, it connects port "0" to "3".
- When sensed pressure is equal to set point, it blocks connections between all ports.
- When sensed pressure is below set point, it connects port "3" with "2".

Typical Applications

- Pressure Reducing Valves
- Pressure Sustaining Valves
- Adjustable hydraulic relay (N.O. or N.C.)
- Automatic regulation override (feature 09)

Technical Data

Pressure Rating: 25 bar; 400 psi

Working Temperature: Water up to 60°C; 140°F

Flow Factor: Kv 0.36; Cv 0.42

Valve Size Range: Small - Medium

Standard Materials:

Body: Stainless Steel

Cover: Brass / Stainless Steel

Elastomers: NBR / SBR

Internals: Stainless Steel, Brass & POM-C

Lower plug: POM-C

Spring: Stainless Steel

Optional Materials:

Metal Parts: Stainless Steel, Nickel Aluminum Bronze, Hastalloy

Elastomers: EPDM, FPM (Viton®)

Adjustment Range

Spring	Pressure		
	bar	psi	
16	1-16	15-230	Standard
25*	2-25	30-350	Optional

* With high pressure setting kit.

Connections

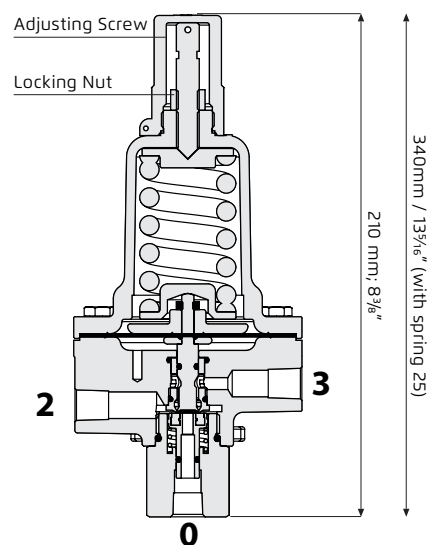
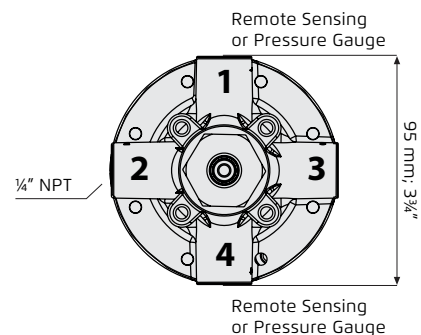
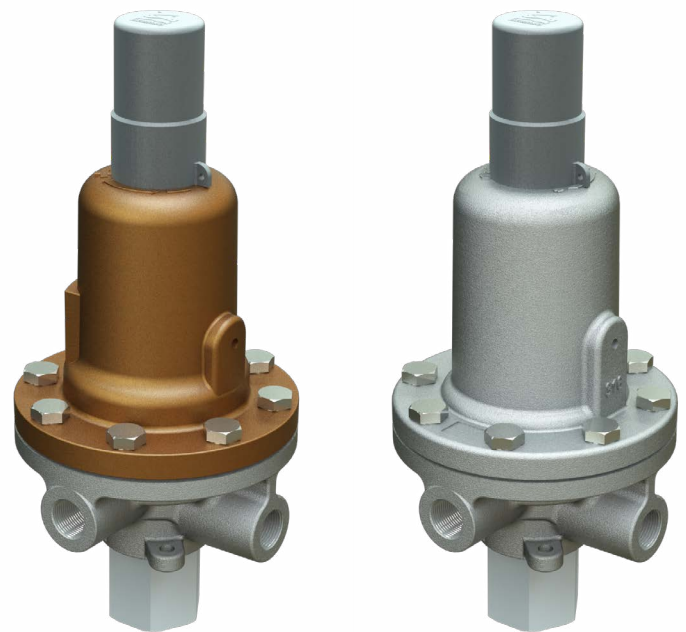
0 - Upstream for reducing, vent for sustaining

3 - Valve control chamber

2 - Vent for reducing, upstream for sustaining

1/4 - Sensing/pressure gauge

* Always recommended to refer to control diagram



Weight: 2.7 Kg; 6 lbs.

All images in this catalog are for illustration only