

PRESSURE REDUCING PILOT VALVE

Model #2PBL

This is a direct acting valve, actuated by a pressure responsive diaphragm, which tends to reach equilibrium with the set spring force. Fully balanced trim ensures high accuracy and stability.

When used in a pressure reducing circuit, the pilot modulates closed as downstream pressure rises above set point.

Features

- Internal or external pressure sensing
- Differential pressure sensing
- Direct pressure gauge installation

Typical Applications

- Pressure reducing valves (Standard model #2PBL)
- Flow Control Valves (Modified to differential sensing #2PBL-DR)
- Closing surge control additional feature 49 (Modified to external pressure sensing #2PBL-R)

Technical Data

Pressure Rating: 25 bar; 400 psi

Working Temperature: Water up to 60°C; 150°F

Flow Factor: Kv 0.96; Cv 1.13

Valve Size Range: Small - Medium

Standard Materials:

Body: Bronze/Stainless Steel

Cover: Brass/Stainless Steel/polyamide 6+30% G.F

Elastomers: NBR/EPDM

Internals: Stainless Steel & Brass

Spring: Stainless Steel 302/316

Optional Materials:

Metal Parts: Nickel Aluminum Bronze, Duplex, Hastalloy, Titanium

Elastomers: FPM (Viton®)

Adjustment Range

Spring		Pressure	
St. St. 302 Bronze Body	St. St. 316 St. St. Body	bar	psi
N/A	J*	0.2-1.7	3-25
K	Y	0.5-3	7-43
N	L	0.8-6.5	12-94
V	T	1-10	15-150
P	W	1-16	15-230
N/A	Z	5-25	72-362

* For #2PBL-DR- differential sensing

Standard
Optional

Connections

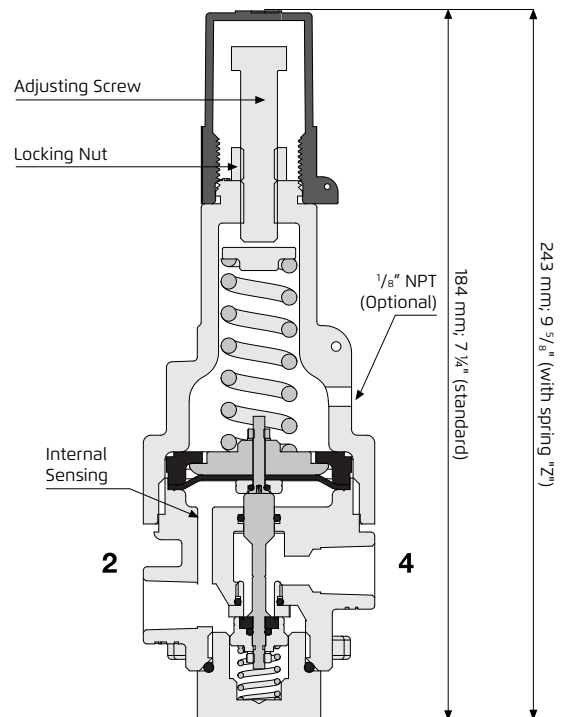
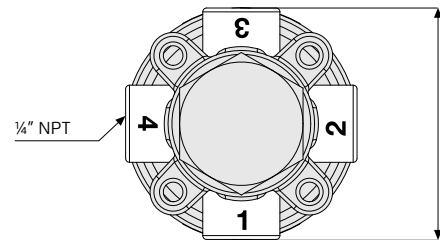
- 1 - Remote sensing (optional) or pressure gauge 2 - OUT
 3 - Remote sensing (optional) or pressure gauge 4 - IN

* Always recommended to refer to control diagram



Bronze

Stainless Steel



Weight:
 1.2 Kg; 2.6 lbs - Bronze, Stainless Steel
 1.7 Kg; 3.7 lbs - with 25 bar spring

