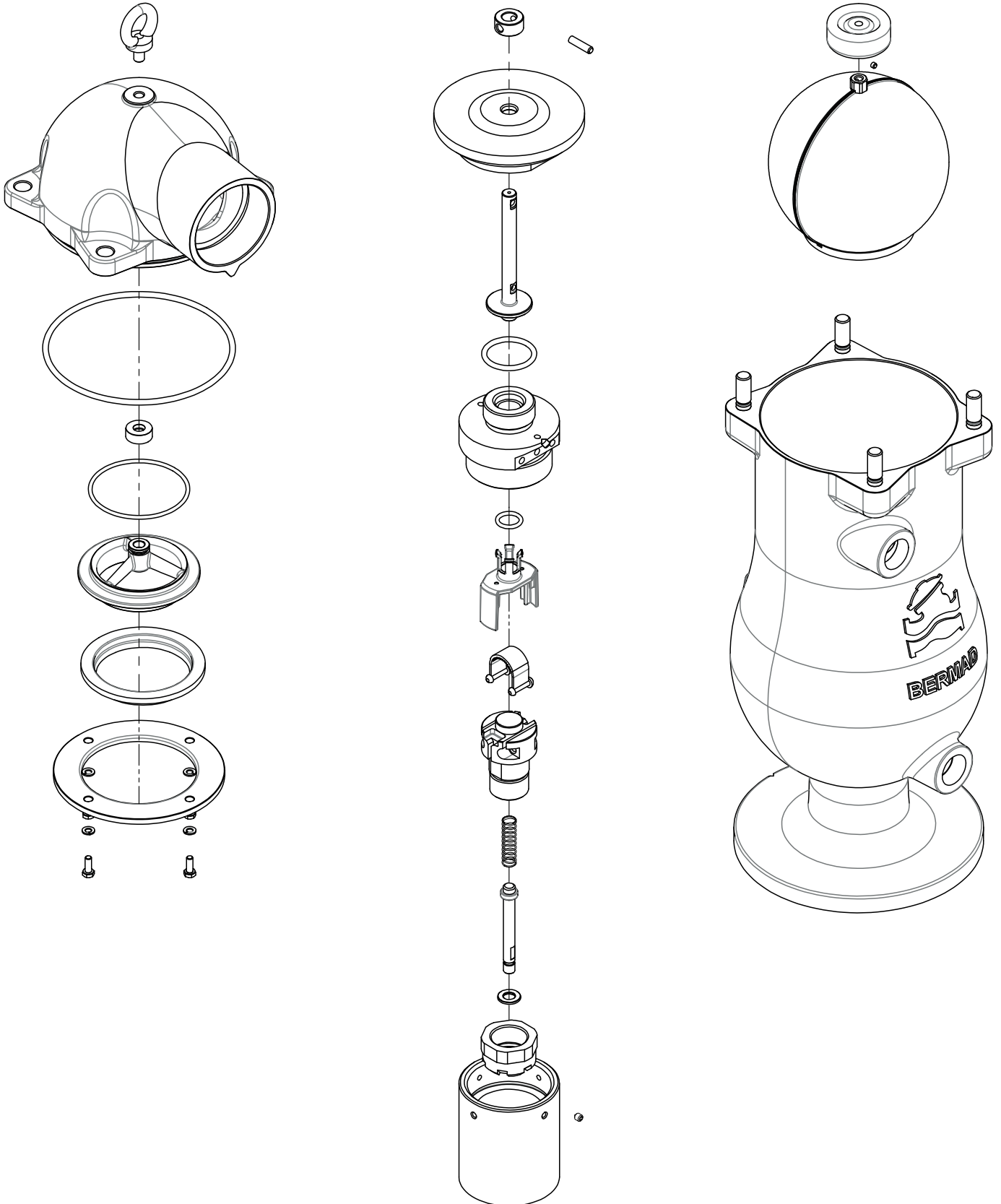


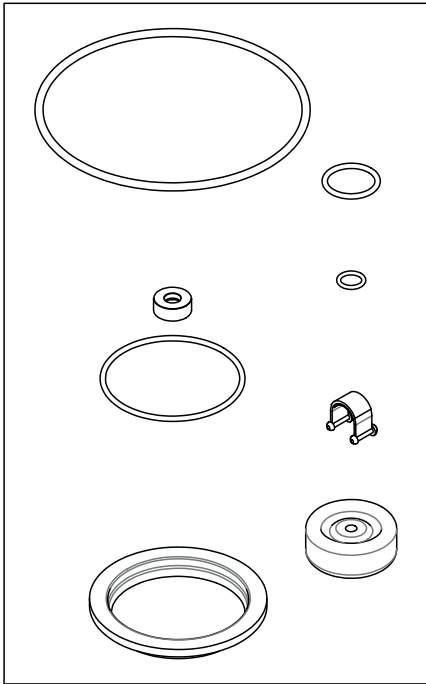
C80 Combination Air Valve - 3-4"; DN80-100



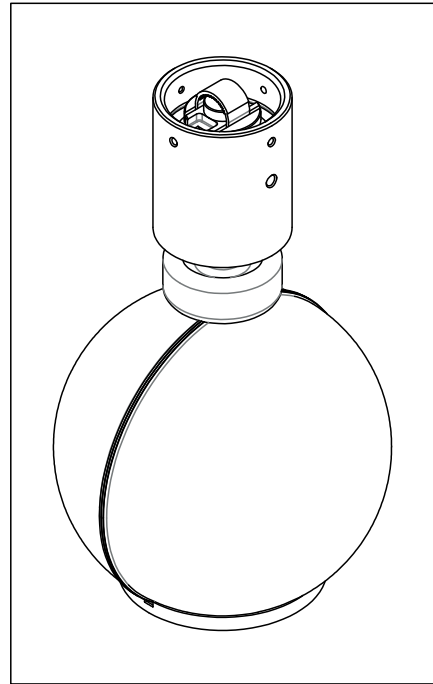
* Drawings are for illustration purposes only

C80 Combination Air Valve - 3-4"; DN80-100

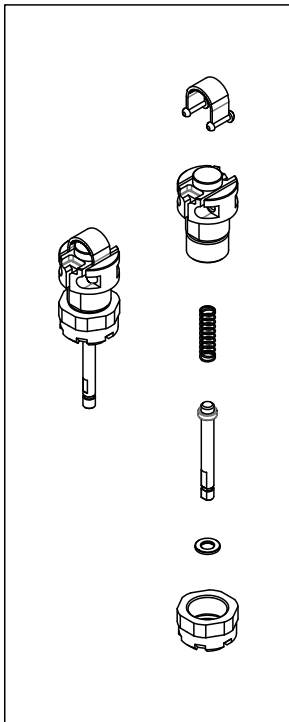
60



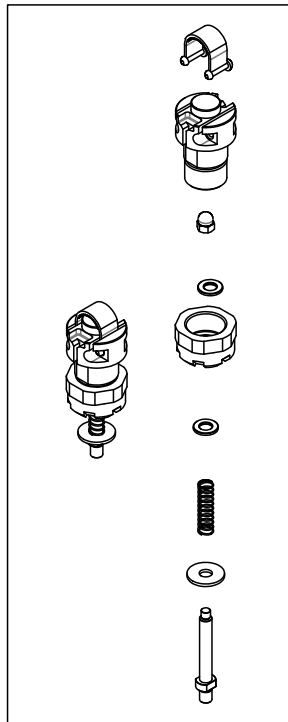
62



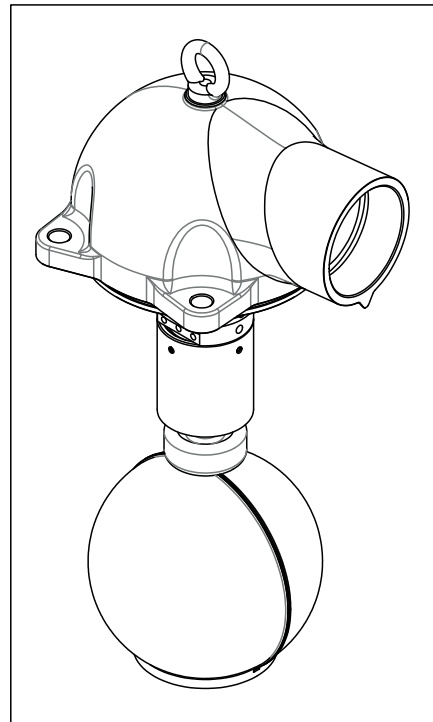
63



64



65

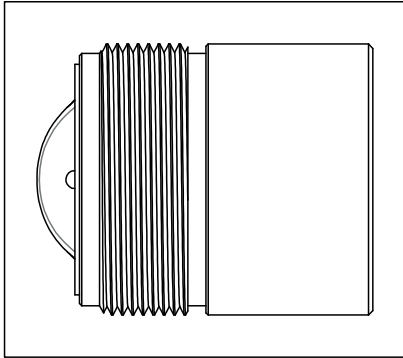


Internals

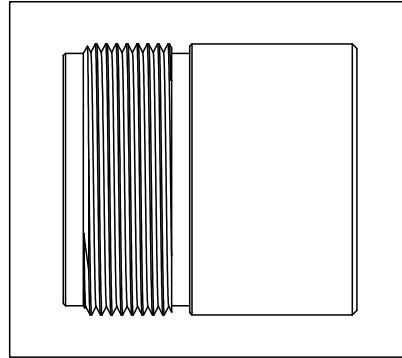
Inlet connection size	60 Elastomers Kit	62 Lower Float Assy.	63 Automatic Orifice Assy. (Version B)	64 Automatic Orifice Assy. (Version A)	65 Quick Maintenance Kit
3-4"; DN80-100	8230040060-KIT	8230080092	8230080093	8230080094	8230080041

* Drawings are for illustration purposes only

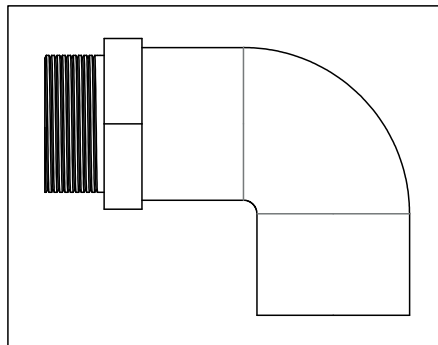
C80 Combination Air Valve - 3-4"; DN80-100



102



103



104

Additional features & Accessories

Inlet connection size	102 Surge Protection Assy. (SP)	103 Inflow Prevention Assy. (IP)	104 Nipple + 90 Degrees Elbow Assy.
3-4"; DN80-100	8230C90350	8230C90250	9906000232-KIT

* Drawings are for illustration purposes only