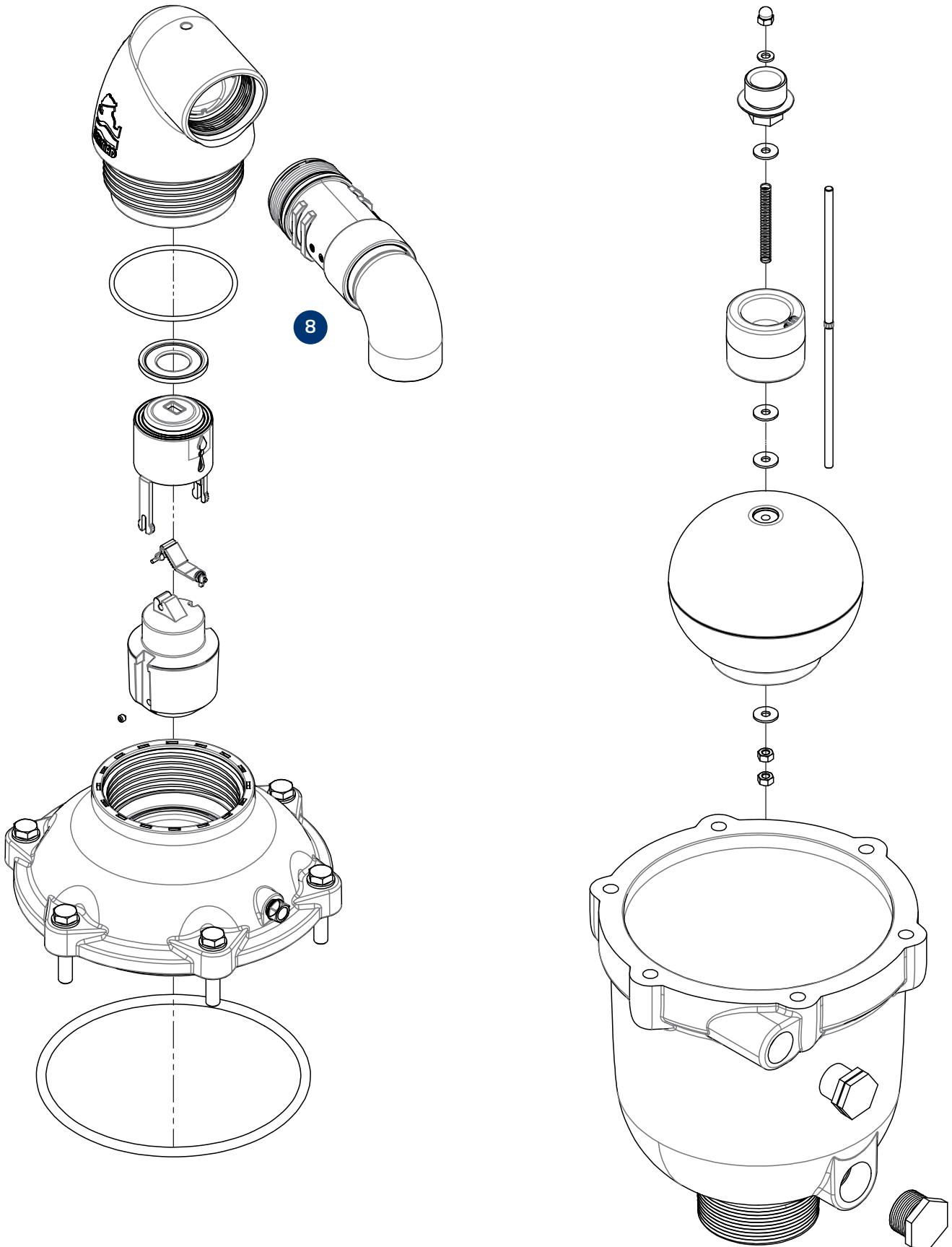
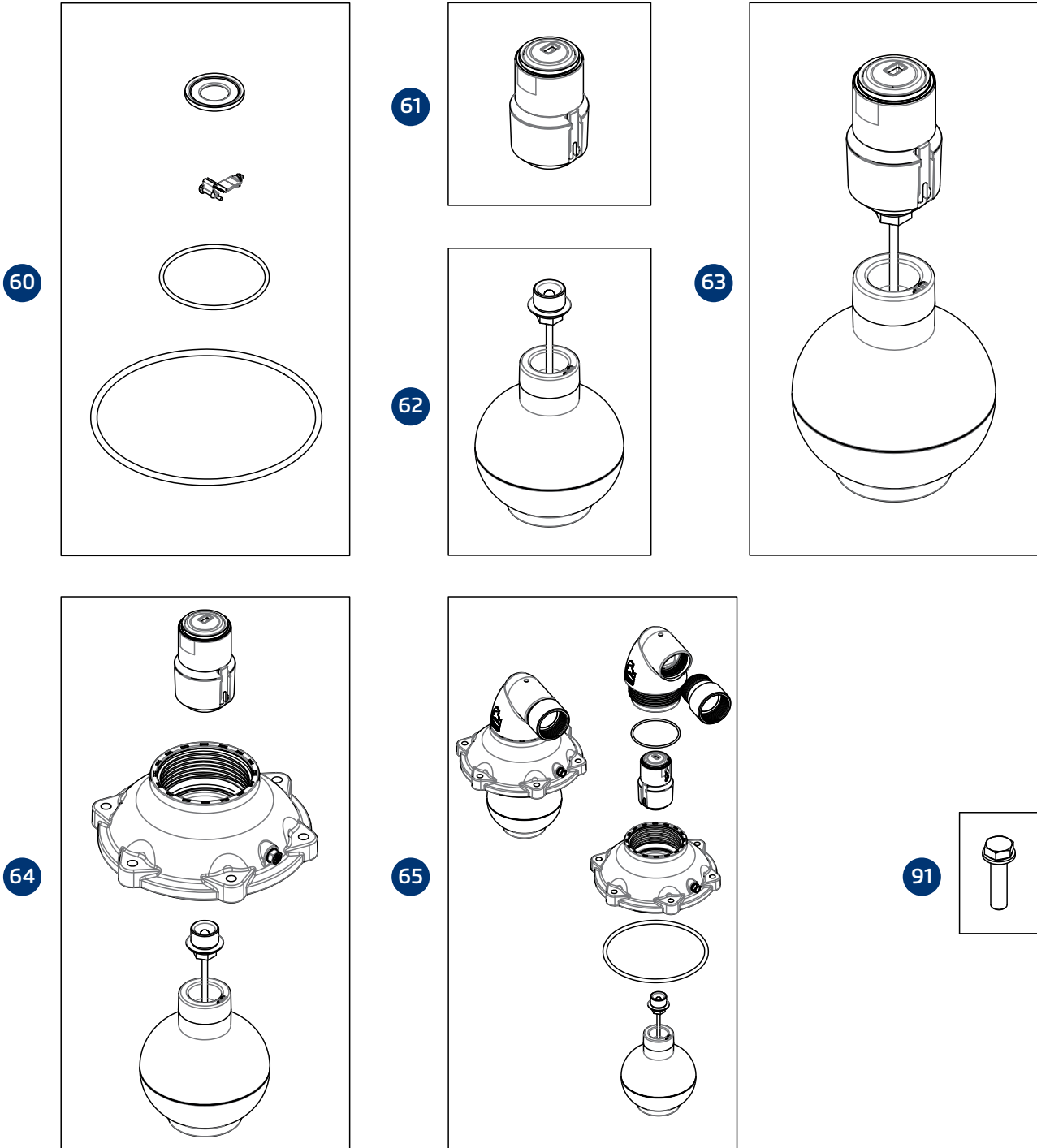


C50-P Sewage & Wastewater Combination Air Valve - 2-4"; DN50-100



* Drawings are for illustration purposes only

C50-P Sewage & Wastewater Combination Air Valve - 2-4"; DN50-100

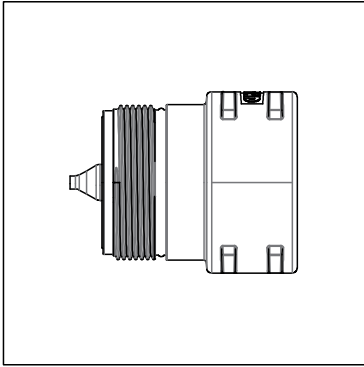


Internals

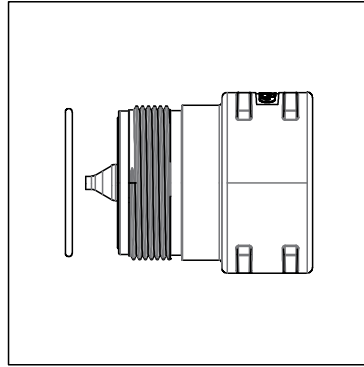
Inlet connection size	60 Elastomers Kit	61 Upper Float Assy.	62 Lower Float Assy.	63 Lower & Upper Float Assy.
2-4" ; DN50-100	8820C30060-KIT	8820090080	8820080081	8820090086
Inlet connection size	64 Neck + Float Assy.	65 Quick Maintenance	91 Bolts Kit	
2-4" ; DN50-100	8820090085	8820092085	8820CSP091-KIT	

* Drawings are for illustration purposes only

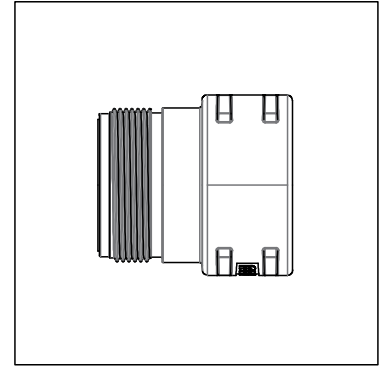
C50-P Sewage & Wastewater Combination Air Valve - 2-4"; DN50-100



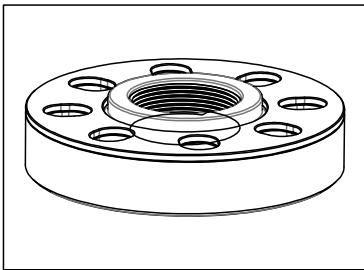
102



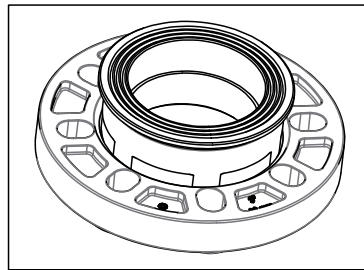
103



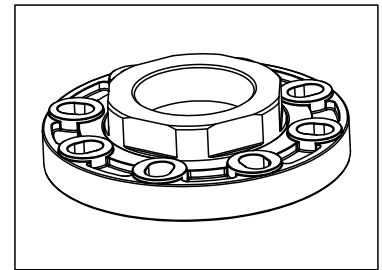
104



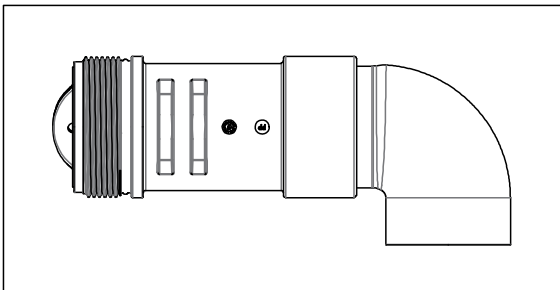
105



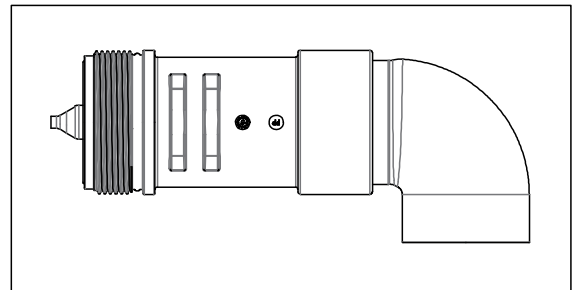
106



107



108



109

Additional features

Inlet connection size	102 Surge Protection Assy. (SP)	103 Inflow Prevention Assy. (IP)	104 Assisted Closing Assy. (AC)	108 Surge Protection (SP), With Downwards Outlet	109 Inflow Prection (IP), With Downwards Outlet
2-4" ; DN50-100	8820C80350	8620C80250	8620C80650	8820C80450	8620C80550

Accessories

Inlet connection size	8 Extension With 90 Degrees Elbow	105 Universal Flange Kit 2" x 2" (BSP)	105 Universal Flange Kit 2" x 2" (NPT)	106 Universal Flange Kit 3" x 3" (BSP)	106 Universal Flange Kit 3" x 3" (NPT)	107 Universal Flange Kit 4" x 3" (BSP)	107 Universal Flange Kit 4" x 3" (NPT)
2" ; DN50	8820C80250	8820090383-KIT	8820090483-KIT	---	---	---	---
3" ; DN80	8820C80250	---	---	8830020384-KIT	8830020484-KIT	---	---
4" ; DN100	8820C80250	---	---	---	---	8840020384-KIT	8840020484-KIT

* Drawings are for illustration purposes only