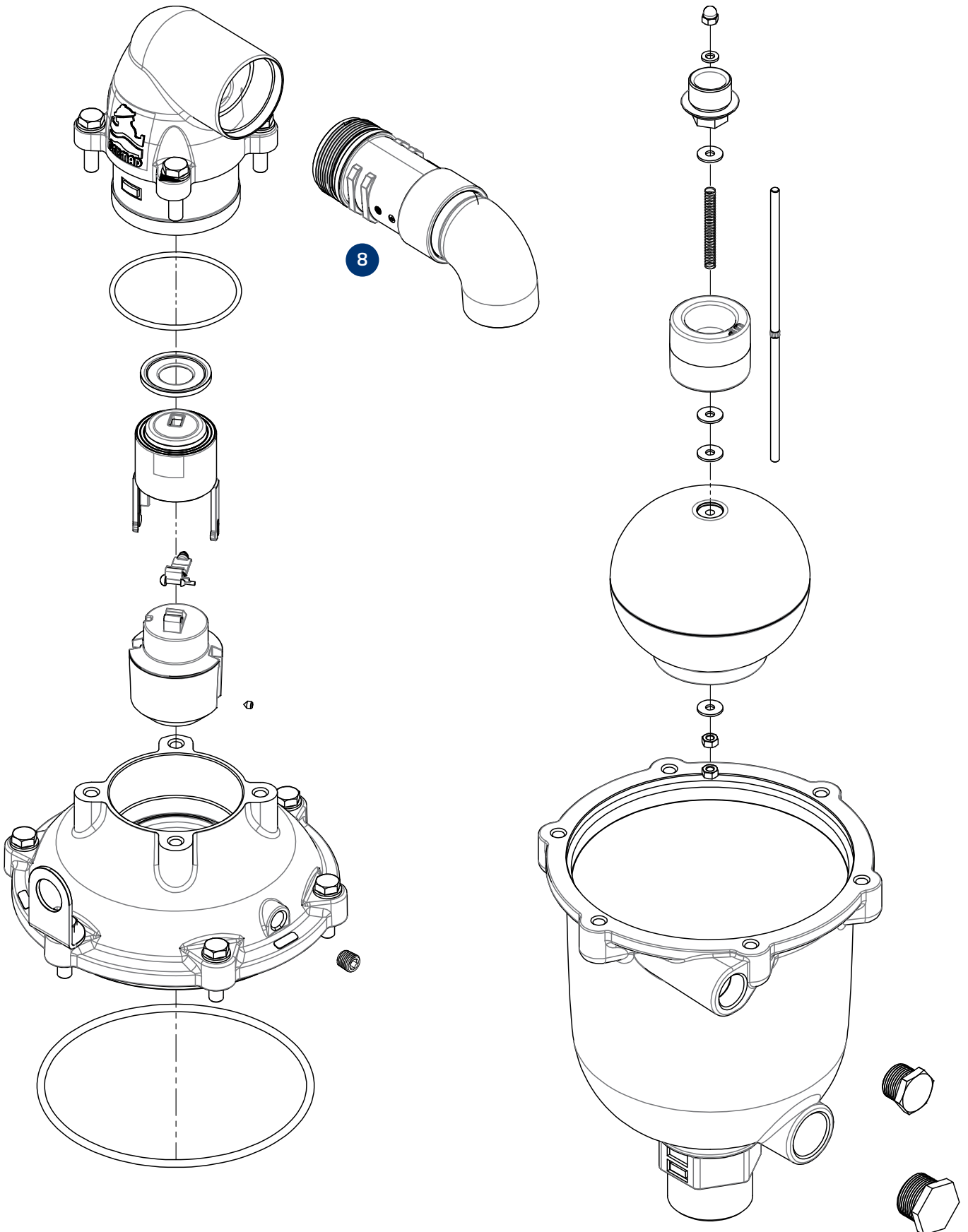
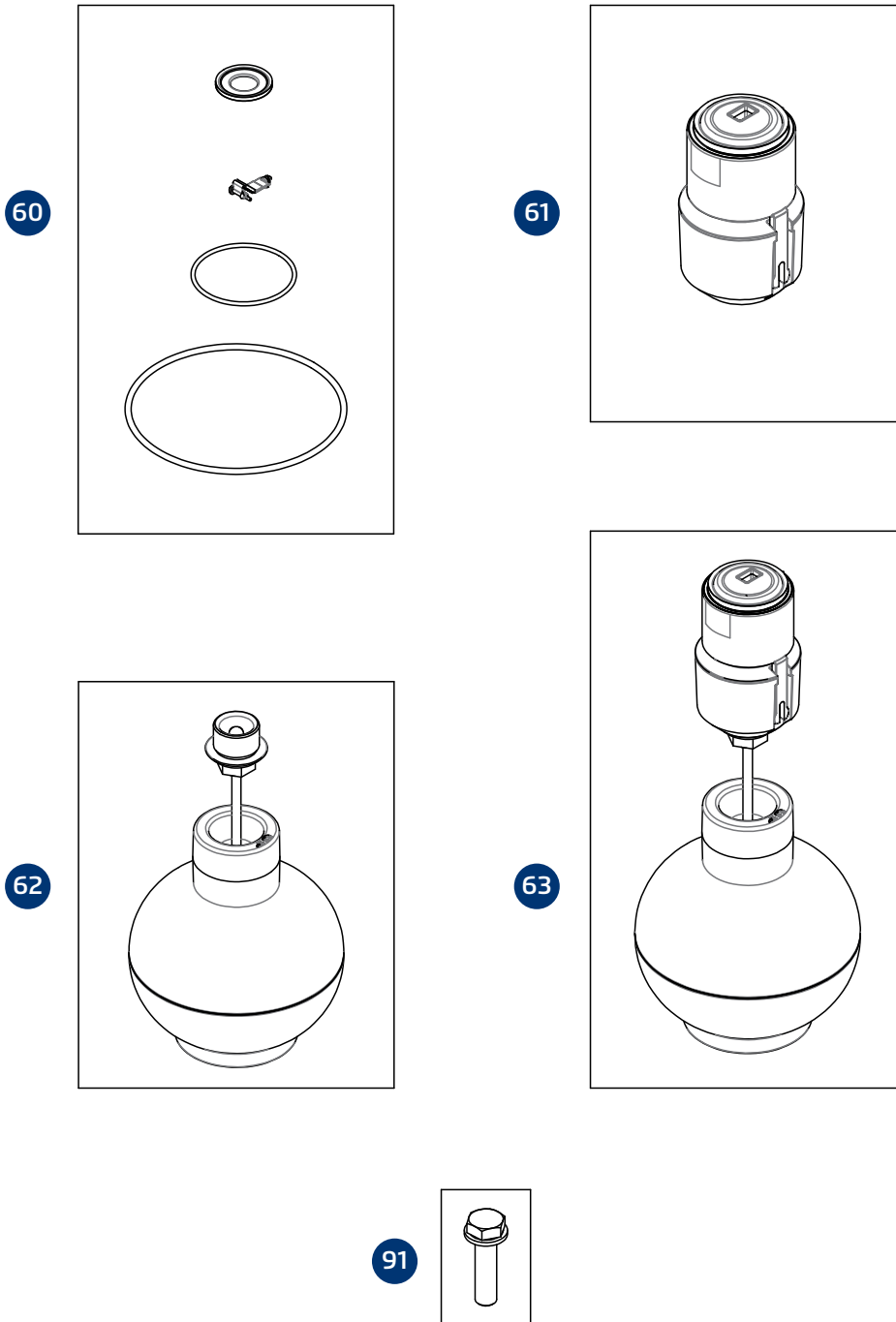


C50-C Sewage & Wastewater Combination Air Valve - 2-4"; DN50-100



* Drawings are for illustration purposes only

C50-C Sewage & Wastewater Combination Air Valve - 2-4"; DN50-100

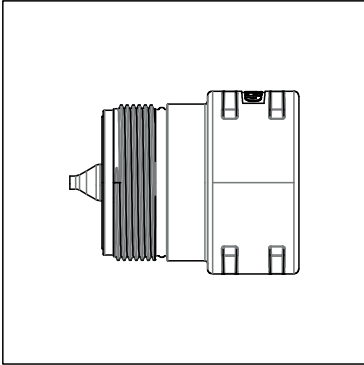


Internals

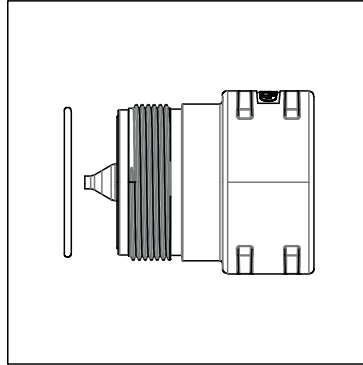
Inlet connection size	60 Elastomers Kit	61 Upper Float Assy.	62 Lower Float Assy.	63 Lower & Upper Float Assy.	91 Bolts Kit
2-4" ; DN50-100	8820C40060-KIT	8820090080	8820080081	8820090086	8820CSN091-KIT

* Drawings are for illustration purposes only

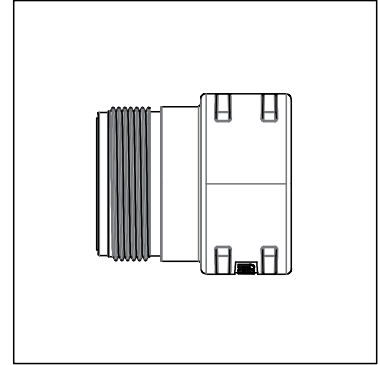
C50-C Sewage & Wastewater Combination Air Valve - 2-4"; DN50-100



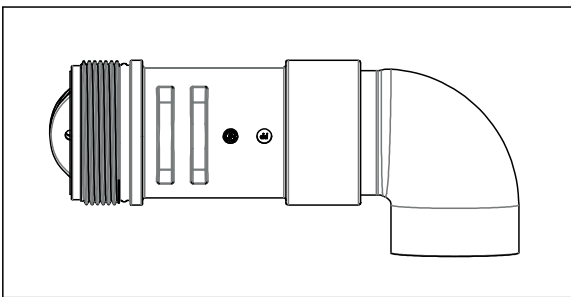
102



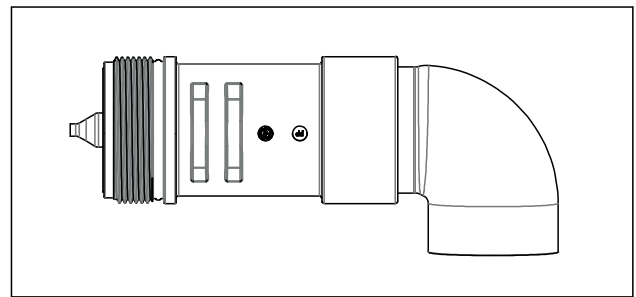
103



104



108



109

Additional features

Inlet connection size	102 Surge Protection (SP)	103 Inflow Prevention (IP)	104 Assisted Closing (AC)	108 Surge Protection (SP), With Downwards Outlet	109 Inflow Precention (IP), With Downwards Outlet
2-4" ; DN50-100	8820C80350	8620C80250	8620C80650	8820C80450	8620C80550

Accessories

Inlet connection size	8 Extension With 90 Degrees Elbow
2-4" ; DN50-100	8820C80250

* Drawings are for illustration purposes only