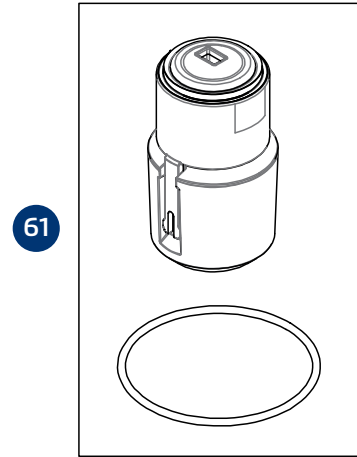
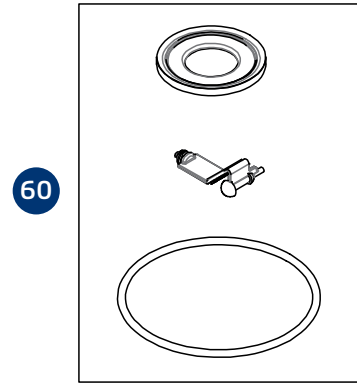
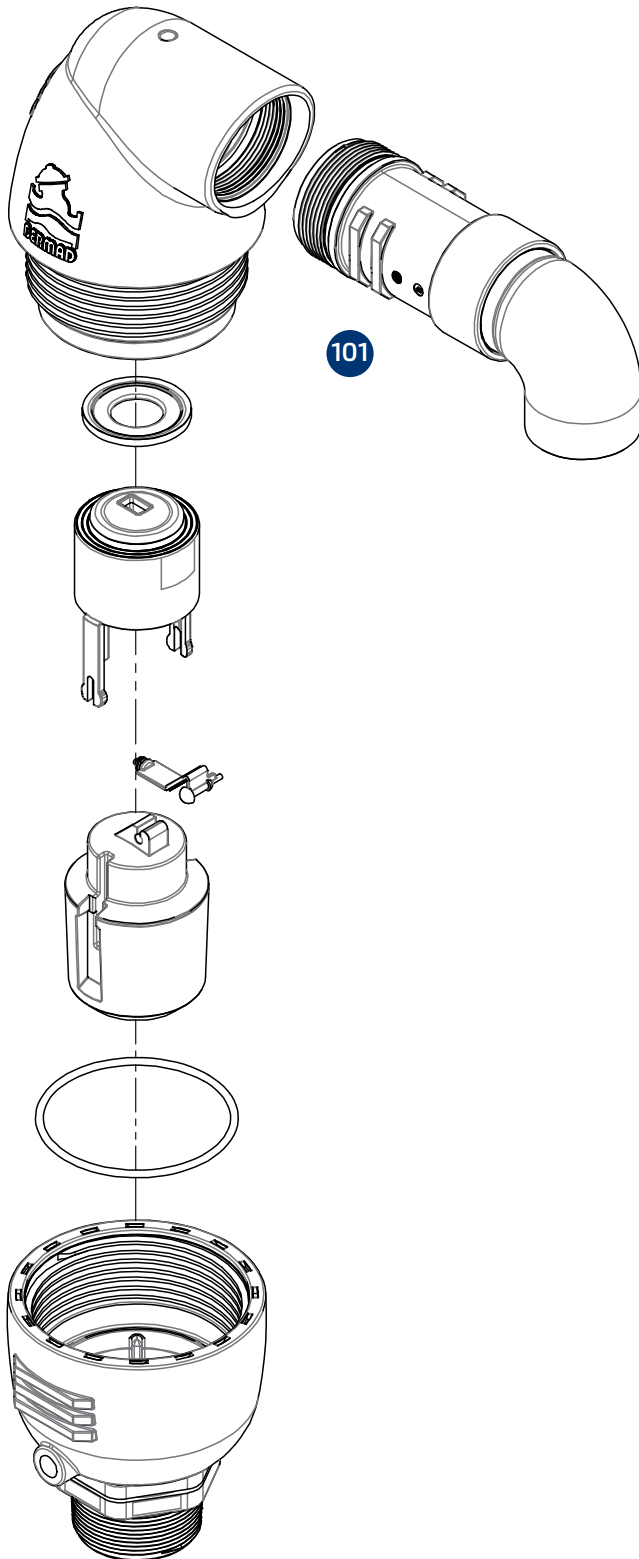


C30-P Combination Air Valve - 2-3"; DN50-80

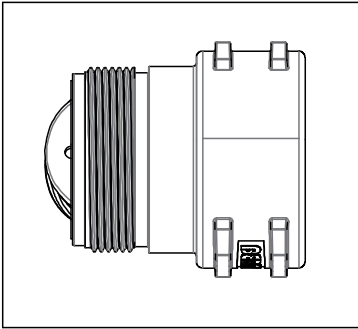


Internals

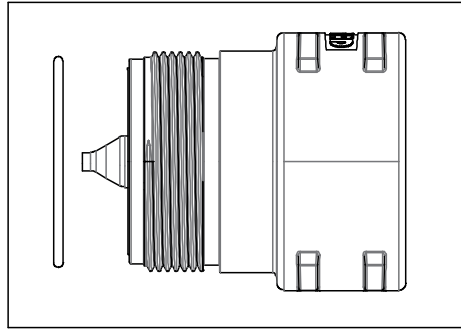
Inlet connection size	60 Elastomers Kit	61 Float Assy.
2-3"; DN50-80	8920C30060-KIT	8620C80090-KIT

* Drawings are for illustration purposes only

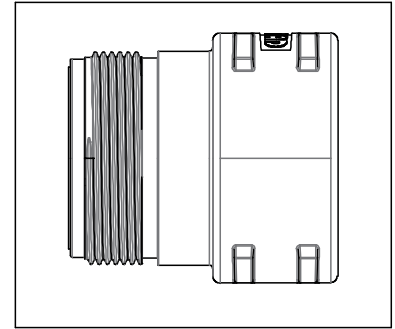
C30-P Combination Air Valve - 2-3"; DN50-80



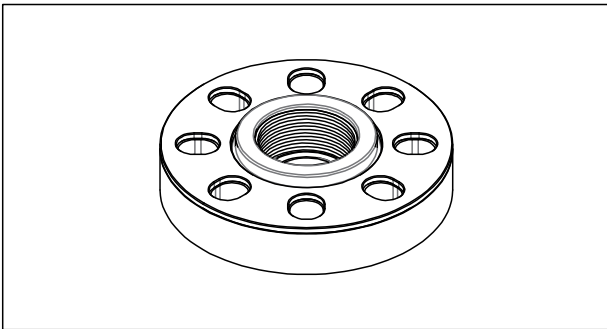
102



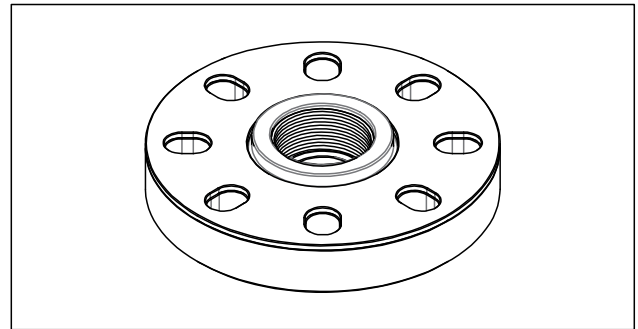
103



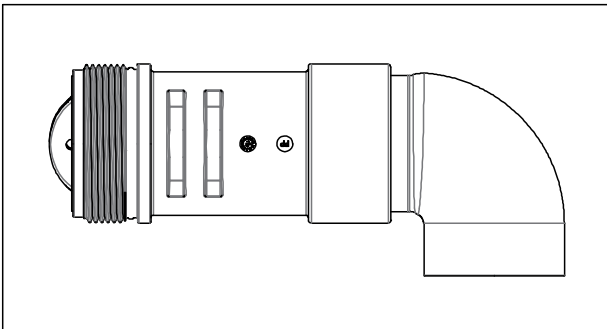
104



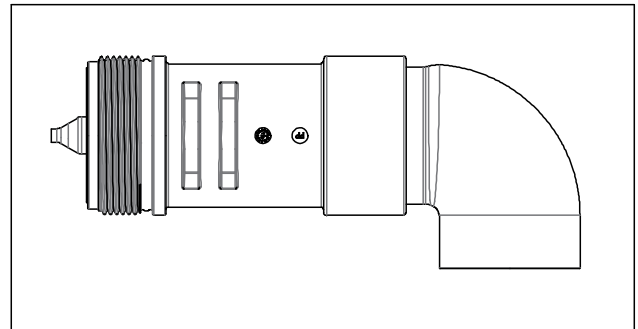
105



106



107



108

Additional features

Inlet connection size	102 Surge Protection (SP)	103 Inflow Prevention (IP)	104 Assisted Closing (AC)	107 Surge Protection (SP), With Downwards Outlet	108 Inflow Prevention (IP), With Downwards Outlet
2-3"; DN50-80	8820C80350	8620C80250	8620C80650	8820C80450	8620C80550

Accessories

Inlet connection size	101 Extension With 90 Degrees Elbow	105 Universal Flange Kit 2" x 2" (BSPT)	105 Universal Flange Kit 2" x 2" (NPT)	106 Universal Flange Kit 3" x 2" (BSPT)	106 Universal Flange Kit 3" x 2" (NPT)
2-3"; DN50-80	8820C80250	8820090383-KIT	8820090483-KIT	8820390383-KIT	8820390483-KIT

* Drawings are for illustration purposes only