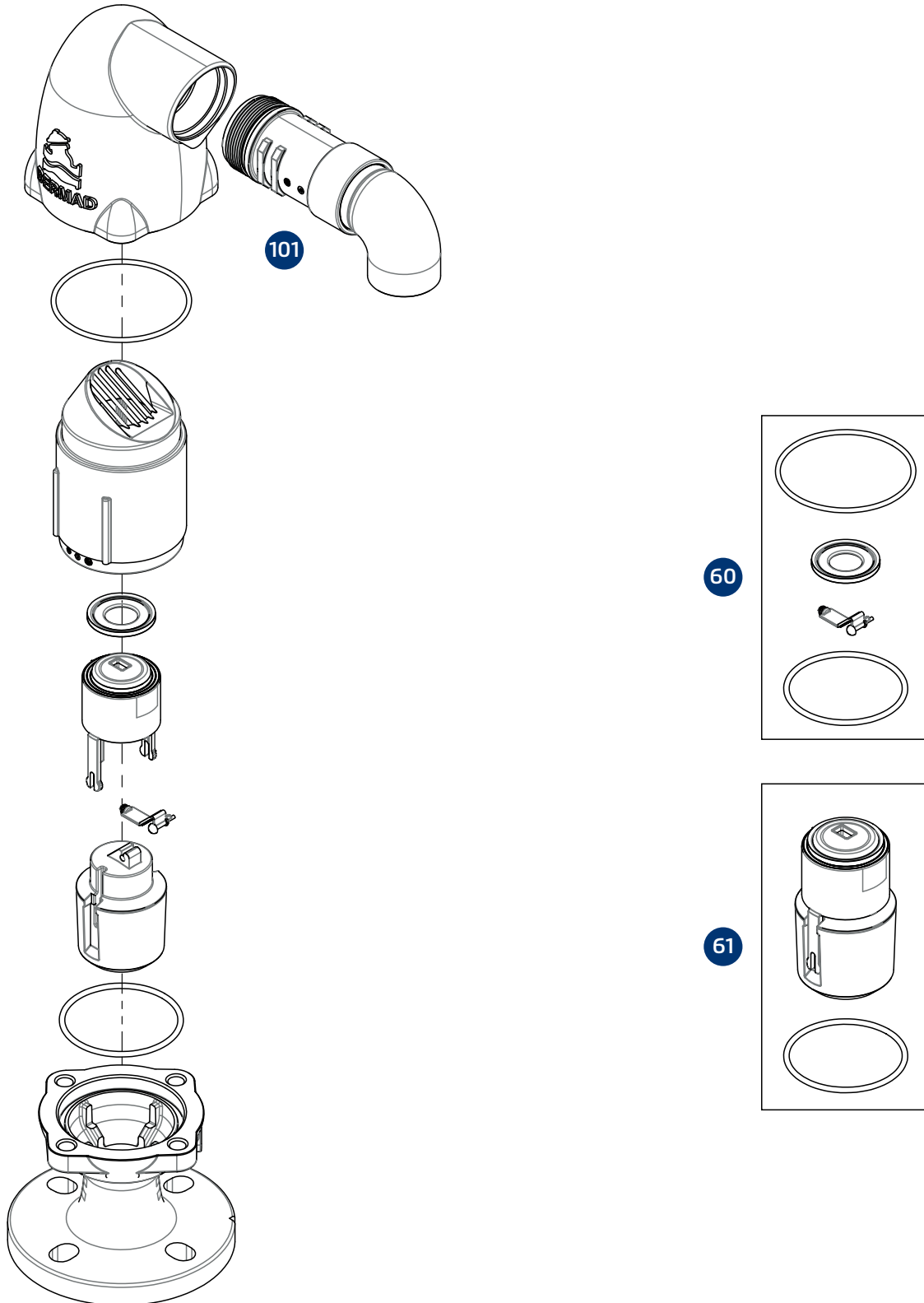


**C30-C Combination Air Valve - 2"; DN50**

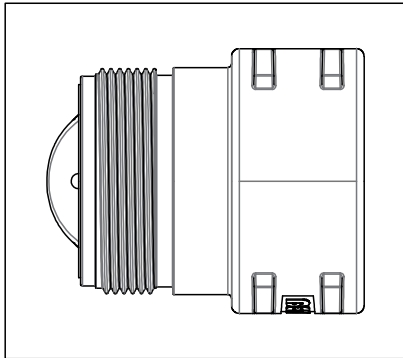


**Internals**

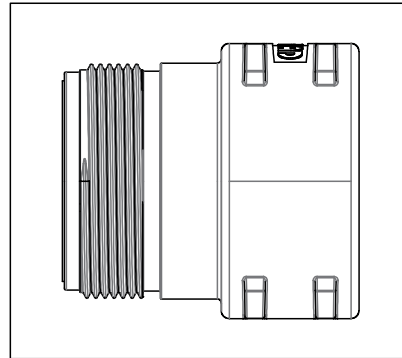
Inlet connection size	60 Elastomers Kit	61 Float Assy.
2" ; DN50	8920C32060-KIT	8620C80090-KIT

\* Drawings are for illustration purposes only

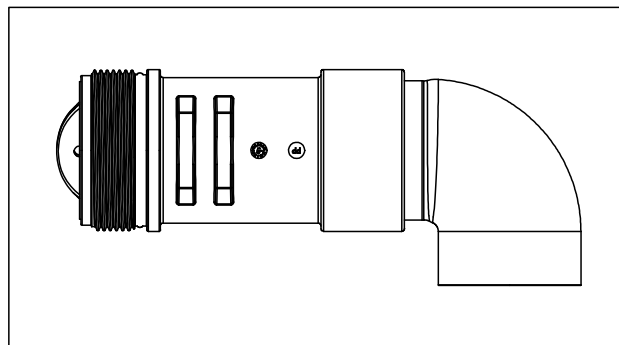
**C30-C Combination Air Valve - 2"; DN50**



102



104



105

**Additional features**

Inlet connection size	102 Surge Protection (SP)	104 Assisted Closing (AC)	105 Surge Protection (SP), With Downwards Outlet
2" ; DN50	8820C80350	8620C80650	8820C80450

**Accessories**

Inlet connection size	101 Extension With 90 Degrees Elbow
2" ; DN50	8820C80250

\* Drawings are for illustration purposes only