

HYDRAULIC CHECK VALVE

with Independent Check Feature and Opening Speed Control

Model 760-2S-02 EN

The Check Valve is a double chambered, hydraulic non return valve that isolates the pump from the system during pump startup and shutdown, thereby preventing pipeline surges. The non return valve opens in an adjustable controlled manner to allow flow in the required direction and its Independent Check Feature allows an immediate smooth drip tight closing to prevent back flow.

BERMAD 700 SIGMA EN series valves are hydraulic, oblique pattern, globe valves with a raised seat assembly and double chamber unitized actuator, that can be disassembled from the body as a separate integral unit. The valves hydrodynamic body is designed for unobstructed flow path. The 700 SIGMA EN Valves operate under difficult operation conditions with minimal cavitation and noise. They meet size and dimensions requirements of various standards.



Features and Benefits

- Non-slam closing – Eliminates system surges
- Designed to - stand up to the toughest conditions
 - Excellent anti-cavitation properties
 - Drip tight sealing
- Effective hydraulic design
 - "Y" Pattern, wide body – Minimized pressure loss
 - Semi-straight flow – Non-turbulent flow
 - Obstacle free, full bore – Uncompromising reliability
- Double chamber design
 - Moderated valve reaction
 - Protected diaphragm
 - Moderated closing curve
- Flexible design - Easy addition of features
- Compatible with various standards
- High quality materials
- In-line serviceable - Easy maintenance

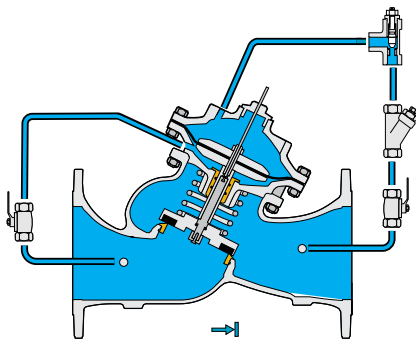
Major Additional Features

- Valve position indicator – 760-2S-02-1
 - Electric limit switch – 760-2S-02-S
 - Flow Stem – 760-2S-02-M
 - Opening & Closing Speed control - 760-2S-03
- See relevant BERMAD publications

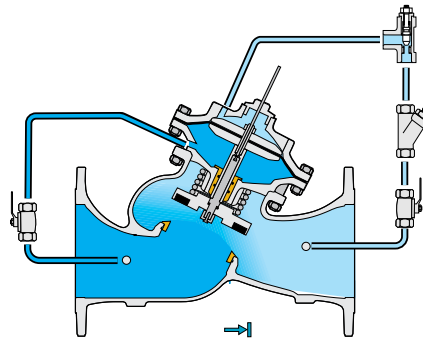
Typical Installation



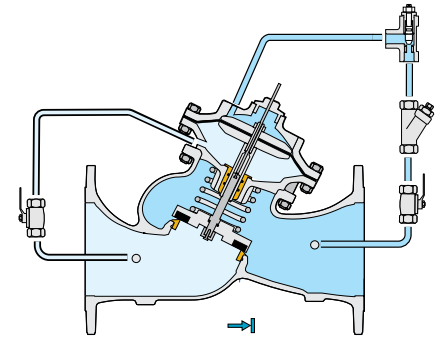
All images in this catalog are for illustration only



Closed (hydraulically)



Open



Closed (Independent Check)

This drawing refers to 1½ – 8"; 40-200 mm sized valves only. For other sizes please refer to the Model's IOM.

Main Valve

Valve Patterns: "Y" (Globe)

Size Range: 1½-16"; 40-400 mm (EN Series)

Pressure Rating: 25 bar; 400 psi

End Connections: Flanged (all standard)

Temperature Rating: 60°C; 140°F

Optional higher temperature: Available on request

Standard Materials:

Body & actuator: Ductile Iron

Bolts, nuts & studs: Stainless Steel

Internals: Stainless Steel, Tin Bronze & Coated Steel

Diaphragm: Fabric-reinforced synthetic rubber

Seals: Synthetic rubber

Coating: Dark blue Fusion bonded epoxy

Control System

Standard Materials:

Accessories: Stainless Steel, Bronze & Brass

Tubing: Stainless Steel or Copper

Fittings: Stainless Steel or Brass

Notes

- Recommended maximum flow velocity: 6.0m/sec; 20ft/sec
- Minimum operating pressure: 0.7bar/10psi. For lower pressure requirements consult factory