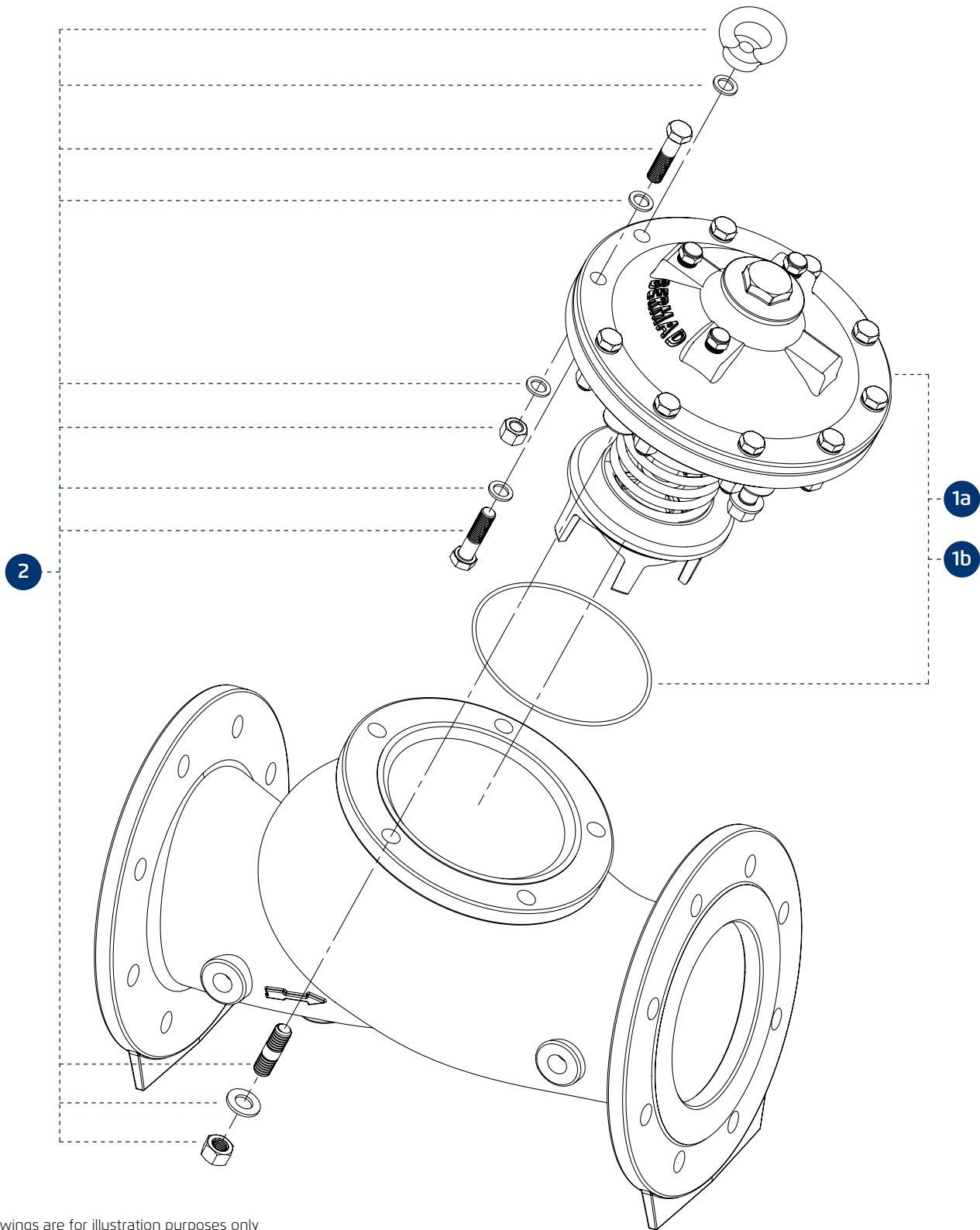


Exploded View



* Drawings are for illustration purposes only

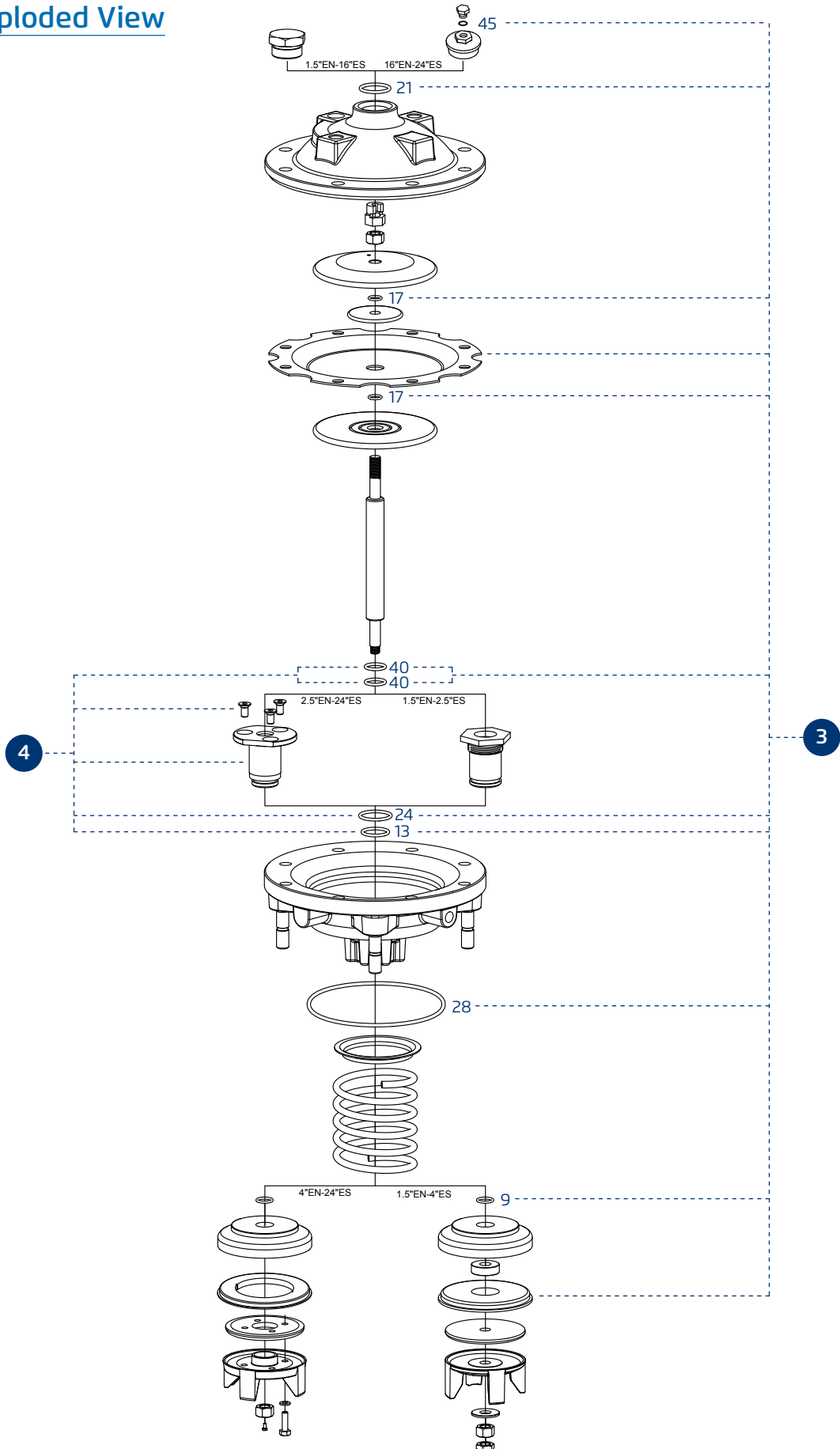
- Use this document for recommended spare parts of the 700 series valves which comply to a wide range of drinking water standards and are with UV protected blue Epoxy (EV) coated ductile iron and EPDM elastomers.
- Please contact BERMAD for any further inquiries.

Actuators & Externals Bolts

| | Size | 1a Actuator Assembly with V-port ⁽¹⁾ | 1b Actuator Assembly with Flat Disc ⁽¹⁾ | 2 External Bolts Kit |
|--------|-------------------|--|---|-------------------------|
| EN | 1.5"-DN40 | 25201PEN95-p | 25207PEN95-p | 25200S000E |
| | 2"-DN50 | 25201PEN95-p | 25207PEN95-p | 25200S000E |
| | 2.5"-DN65 | 25250P1695-p | 25250P0695-p | 25250S000E |
| | 3"-DN80 | 25300P8695-p | 25300P6695-p | 25300S000E |
| | 4"-DN100 | 25400P8695-p | 25400P6695-p | 25400S000E |
| | 6"-DN150 | 25600P8695-p | 25600P6695-p | 25600S000E |
| | 8"-DN200 | 25800P8695-p | 25800P6695-p | 25800S000E |
| | 10"-DN250 | 25010P8695-p | 25010P6695-p | 25010S000E |
| | 12"-DN300 | 25120P8695-p | 25120P6695-p | 25120S000E |
| | 16"-DN400 | 25160P8695-p | 25160P6695-p | 25160S000E |
| ES | 2.5"-DN65 | 25201PEN95-p | 25207PEN95-p | 25200S000E |
| | 3"-DN80 | 25250P1695-p | 25250P0695-p | 25250S000E |
| | 4"-DN100 | 25300P8695-p | 25300P6695-p | 25300S000E |
| | 6"-DN150 | 25601PES95-p | 25607PES95-p | 25600SES0E |
| | 8"-DN200 | 25600P8695-p | 25600P6695-p | 25600S000E |
| | 10"-DN250 | 25800P8695-p | 25800P6695-p | 25800S000E |
| | 12"-DN300 | 25010P8695-p | 25010P6695-p | 25010S000E |
| | 14"-DN350 | 25120P8695-p | 25120P6695-p | 25120S000E |
| | 16"-DN400 | 25120P8695-p | 25120P6695-p | 25120S000E |
| | 18"-DN450 | 25160P8695-p | 25160P6695-p | 25160S000E |
| | 20"-DN500 | 25160P8695-p | 25160P6695-p | 25160S000E |
| | 24"-DN600 | 25160P8695-p | 25160P6695-p | 25160S000E |
| 700-00 | 1.5"-DN40 | 25200P8695-p | 25200P6695-p | 25200S000E |
| | 2"-DN50 | 25200P8695-p | 25200P6695-p | 25200S000E |
| | 2.5"-DN65 grooved | 25201PEN95-p | 25207PEN95-p | 25200S000E |
| | 2.5"-DN65 | 25200P8695-p | 25200P6695-p | 25200S000E |
| | 3"-DN80 | 25300P8695-p | 25300P6695-p | 25300S000E |
| | 4"-DN100 | 25400P8695-p | 25400P6695-p | 25400S000E |
| | 6"-DN150 | 25600P8695-p | 25600P6695-p | 25600S000E |
| | 8"-DN200 | 25800P8695-p | 25800P6695-p | 25800S000E |
| | 10"-DN250 | 25010P8695-p | 25010P6695-p | 25010S000E |
| | 12"-DN300 | 25120P8695-p | 25120P6695-p | 25120S000E |
| | 14"-DN350 | 25120P8695-p | 25120P6695-p | 25120S000E |
| | 16"-DN400 | 25160P8695-p | 25160P6695-p | 25160S000E |
| | 18"-DN450 | 25160P8695-p | 25160P6695-p | 25160S000E |
| | 20"-DN500 | 25160P8695-p | 25160P6695-p | 25160S000E |

⁽¹⁾ Drinking water compatible single chamber actuator assemblies with UV protected blue Epoxy (EV) coated ductile iron and EPDM elastomers - up to 25 bar; 400 psi.

Actuator Exploded View



* Drawings are for illustration purposes only

Elastomers and Bearing

| | Size | 3 Elastomers Kit ⁽²⁾ | 4 Bearing Kit/Assembly ⁽²⁾ |
|--------|-------------------|------------------------------------|--|
| EN | 1.5"-DN40 | 2520-0ENDH | 2520056392 |
| | 2"-DN50 | 2520-0ENDH | 2520056392 |
| | 2.5"-DN65 | 2525-000DH | 2525056523-KIT |
| | 3"-DN80 | 2530-000DH | 2530056523-KIT |
| | 4"-DN100 | 2540-000DH | 2530056523-KIT |
| | 6"-DN150 | 2560-000DH | 2560056523-KIT |
| | 8"-DN200 | 2580-000DH | 2580056523-KIT |
| | 10"-DN250 | 2501-000DH | 2501056523-KIT |
| | 12"-DN300 | 2512-000DH | 2512056523-KIT |
| | 16"-DN400 | 2516-000DH | 2516056523-KIT |
| ES | 2.5"-DN65 | 2520-0ENDH | 2520056392 |
| | 3"-DN80 | 2525-000DH | 2525056523-KIT |
| | 4"-DN100 | 2530-000DH | 2530056523-KIT |
| | 6"-DN150 | 2560-0ESDH | 2560S050523-KIT |
| | 8"-DN200 | 2560-000DH | 2560056523-KIT |
| | 10"-DN250 | 2580-000DH | 2580056523-KIT |
| | 12"-DN300 | 2501-000DH | 2501056523-KIT |
| | 14"-DN350 | 2512-000DH | 2512056523-KIT |
| | 16"-DN400 | 2512-000DH | 2512056523-KIT |
| | 18"-DN450 | 2516-000DH | 2516056523-KIT |
| | 20"-DN500 | 2516-000DH | 2516056523-KIT |
| | 24"-DN600 | 2516-000DH | 2516056523-KIT |
| 700-00 | 1.5"-DN40 | 2520-000DH | 2520056392 |
| | 2"-DN50 | 2520-000DH | 2520056392 |
| | 2.5"-DN65 grooved | 2520-0ENDH | 2520056392 |
| | 2.5"-DN65 | 2520-000DH | 2520056392 |
| | 3"-DN80 | 2530-000DH | 2530056523-KIT |
| | 4"-DN100 | 2540-000DH | 2530056523-KIT |
| | 6"-DN150 | 2560-000DH | 2560056523-KIT |
| | 8"-DN200 | 2580-000DH | 2580056523-KIT |
| | 10"-DN250 | 2501-000DH | 2501056523-KIT |
| | 12"-DN300 | 2512-000DH | 2512056523-KIT |
| | 14"-DN350 | 2512-000DH | 2512056523-KIT |
| | 16"-DN400 | 2516-000DH | 2516056523-KIT |
| | 18"-DN450 | 2516-000DH | 2516056523-KIT |
| | 20"-DN500 | 2516-000DH | 2516056523-KIT |

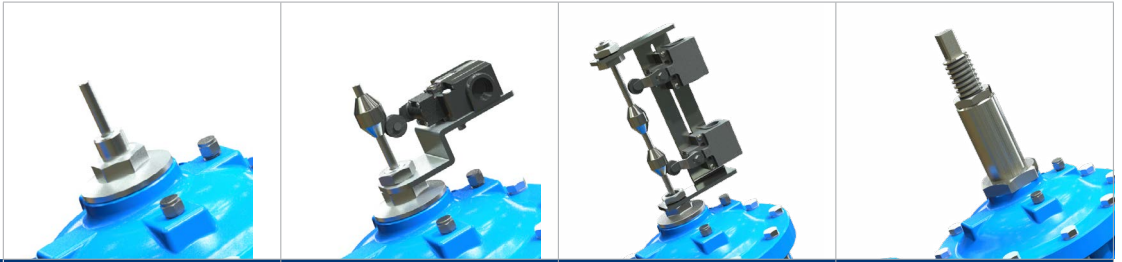
⁽²⁾ Drinking water compatible with EPDM elastomers - up to 25 bar; 400 psi

O-rings Size (Parker No.)

| | Size | 45 | 21 | 17 | 40 | 24 | 13 | 28 | 9 | 43 ⁽³⁾ |
|-----------|-----------|-------|-------|-------|-------|-------|-------|-------|-------|-------------------|
| EN | 1.5"-DN40 | N/A | 2-119 | 2-012 | 5-617 | 2-020 | 2-018 | 2-232 | 2-012 | 2-011 |
| | 2"-DN50 | N/A | 2-119 | 2-012 | 5-617 | 2-020 | 2-018 | 2-232 | 2-012 | 2-011 |
| | 2.5"-DN65 | N/A | 2-119 | 2-012 | 5-617 | 2-120 | 2-118 | 2-237 | 5-617 | 2-011 |
| | 3"-DN80 | N/A | 2-119 | 2-012 | 5-617 | 2-121 | 2-118 | 2-237 | 2-012 | 2-011 |
| | 4"-DN100 | N/A | 2-119 | 2-012 | 5-617 | 2-121 | 2-118 | 2-246 | 5-617 | 2-011 |
| | 6"-DN150 | N/A | 2-227 | 5-617 | 2-212 | 2-126 | 2-124 | 2-364 | 2-212 | 2-011 |
| | 8"-DN200 | N/A | 2-227 | 2-116 | 2-216 | 2-130 | 2-127 | 2-372 | 2-216 | 2-011 |
| | 10"-DN250 | N/A | 2-227 | 2-118 | 2-218 | 2-132 | 2-130 | 2-379 | 2-218 | 2-011 |
| | 12"-DN300 | N/A | 2-227 | 2-120 | 2-326 | 2-139 | 2-227 | 2-456 | 2-223 | 2-011 |
| | 16"-DN400 | 2-119 | 2-236 | 2-223 | 2-333 | 2-238 | 2-340 | 2-466 | 2-230 | 2-011 |
| ES | 2.5"-DN65 | N/A | 2-119 | 2-012 | 5-617 | 2-020 | 2-018 | 2-232 | 2-012 | 2-011 |
| | 3"-DN80 | N/A | 2-119 | 2-012 | 5-617 | 2-120 | 2-118 | 2-237 | 5-617 | 2-011 |
| | 4"-DN100 | N/A | 2-119 | 2-012 | 5-617 | 2-121 | 2-118 | 2-237 | 2-012 | 2-011 |
| | 6"-DN150 | N/A | 2-227 | 5-617 | 2-212 | 2-126 | 2-124 | 2-359 | 2-212 | 2-011 |
| | 8"-DN200 | N/A | 2-227 | 5-617 | 2-212 | 2-126 | 2-124 | 2-364 | 2-212 | 2-011 |
| | 10"-DN250 | N/A | 2-227 | 2-116 | 2-216 | 2-130 | 2-127 | 2-372 | 2-216 | 2-011 |
| | 12"-DN300 | N/A | 2-227 | 2-118 | 2-218 | 2-132 | 2-130 | 2-379 | 2-218 | 2-011 |
| | 14"-DN350 | N/A | 2-227 | 2-120 | 2-326 | 2-139 | 2-227 | 2-456 | 2-223 | 2-011 |
| | 16"-DN400 | N/A | 2-227 | 2-120 | 2-326 | 2-139 | 2-227 | 2-456 | 2-223 | 2-011 |
| | 18"-DN450 | 2-119 | 2-236 | 2-223 | 2-333 | 2-238 | 2-340 | 2-466 | 2-230 | 2-011 |
| | 20"-DN500 | 2-119 | 2-236 | 2-223 | 2-333 | 2-238 | 2-340 | 2-466 | 2-230 | 2-011 |
| 24"-DN600 | 2-119 | 2-236 | 2-223 | 2-333 | 2-238 | 2-340 | 2-466 | 2-230 | 2-011 | |
| 700-00 | 1.5"-DN40 | N/A | 2-119 | 2-012 | 5-617 | 2-020 | 2-018 | 2-232 | 2-012 | 2-011 |
| | 2"-DN50 | N/A | 2-119 | 2-012 | 5-617 | 2-020 | 2-018 | 2-232 | 2-012 | 2-011 |
| | 2.5"-DN65 | N/A | 2-119 | 2-012 | 5-617 | 2-020 | 2-018 | 2-232 | 2-012 | 2-011 |
| | 3"-DN80 | N/A | 2-119 | 2-012 | 5-617 | 2-121 | 2-118 | 2-237 | 2-012 | 2-011 |
| | 4"-DN100 | N/A | 2-119 | 2-012 | 5-617 | 2-121 | 2-118 | 2-246 | 5-617 | 2-011 |
| | 6"-DN150 | N/A | 2-227 | 5-617 | 2-212 | 2-126 | 2-124 | 2-364 | 2-212 | 2-011 |
| | 8"-DN200 | N/A | 2-227 | 2-116 | 2-216 | 2-130 | 2-127 | 2-372 | 2-216 | 2-011 |
| | 10"-DN250 | N/A | 2-227 | 2-118 | 2-218 | 2-132 | 2-130 | 2-379 | 2-218 | 2-011 |
| | 12"-DN300 | N/A | 2-227 | 2-120 | 2-326 | 2-139 | 2-227 | 2-456 | 2-223 | 2-011 |
| | 14"-DN350 | N/A | 2-227 | 2-120 | 2-326 | 2-139 | 2-227 | 2-456 | 2-223 | 2-011 |
| | 16"-DN400 | 2-119 | 2-236 | 2-223 | 2-333 | 2-238 | 2-340 | 2-466 | 2-230 | 2-011 |
| | 18"-DN450 | 2-119 | 2-236 | 2-223 | 2-333 | 2-238 | 2-340 | 2-466 | 2-230 | 2-011 |
| 20"-DN500 | 2-119 | 2-236 | 2-223 | 2-333 | 2-238 | 2-340 | 2-466 | 2-230 | 2-011 | |

⁽³⁾ Relevant only for actuators with an indicator rod i.e.: I, S

Additional Attributes



| | Size | Position Indicator Assy.- I | Single Limit Switch Assy.- S | Double Limit Switch Assy.- SS | Flow Stem Assy.- M |
|-----------|------------|-----------------------------|------------------------------|-------------------------------|--------------------|
| EN | 1.5"-DN40 | 25300S6394 | 25200S6394 | 2520006362 | 25200S6093 |
| | 2"-DN50 | 25300S6394 | 25200S6394 | 2520006362 | 25200S6093 |
| | 2.5"-DN65 | 25300S6394 | 25200S6394 | 2520006362 | 25200S6093 |
| | 3"-DN80 | 25300S6394 | 25200S6394 | 2520006362 | 25200S6093 |
| | 4"-DN100 | 25300S6394 | 25200S6394 | 2520006362 | 25200S6093 |
| | 6"-DN150 | 25600S6360 | 25600S6394 | 2560006362 | 25600S6093 |
| | 8"-DN200 | 25600S6360 | 25600S6394 | 2580006362 | 25600S6093 |
| | 10"-DN250 | 25010S6360 | 25010S6394 | 2580006362 | 25010S6093 |
| | 12"-DN300 | 25010S6360 | 25010S6394 | 2580006362 | 25010S6093 |
| 16"-DN400 | 25160S6360 | 25160S6394 | 2516006362 | 25160S6093 | |
| ES | 2.5"-DN65 | 25300S6394 | 25200S6394 | 2520006362 | 25200S6093 |
| | 3"-DN80 | 25300S6394 | 25200S6394 | 2520006362 | 25200S6093 |
| | 4"-DN100 | 25300S6394 | 25200S6394 | 2520006362 | 25200S6093 |
| | 6"-DN150 | 25600S6360 | 25600S6394 | 2560006362 | 25600S6093 |
| | 8"-DN200 | 25600S6360 | 25600S6394 | 2560006362 | 25600S6093 |
| | 10"-DN250 | 25600S6360 | 25600S6394 | 2580006362 | 25600S6093 |
| | 12"-DN300 | 25010S6360 | 25010S6394 | 2580006362 | 25010S6093 |
| | 14"-DN350 | 25010S6360 | 25010S6394 | 2580006362 | 25010S6093 |
| | 16"-DN400 | 25010S6360 | 25010S6394 | 2580006362 | 25010S6093 |
| | 18"-DN450 | 25160S6360 | 25160S6394 | 2516006362 | 25160S6093 |
| | 20"-DN500 | 25160S6360 | 25160S6394 | 2516006362 | 25160S6093 |
| 24"-DN600 | 25160S6360 | 25160S6394 | 2516006362 | 25160S6093 | |
| 700-00 | 1.5"-DN40 | 25300S6394 | 25200S6394 | 2520006362 | 25200S6093 |
| | 2"-DN50 | 25300S6394 | 25200S6394 | 2520006362 | 25200S6093 |
| | 2.5"-DN65 | 25300S6394 | 25200S6394 | 2520006362 | 25200S6093 |
| | 3"-DN80 | 25300S6394 | 25200S6394 | 2520006362 | 25200S6093 |
| | 4"-DN100 | 25300S6394 | 25200S6394 | 2520006362 | 25200S6093 |
| | 6"-DN150 | 25600S6360 | 25600S6394 | 2560006362 | 25600S6093 |
| | 8"-DN200 | 25600S6360 | 25600S6394 | 2580006362 | 25600S6093 |
| | 10"-DN250 | 25010S6360 | 25010S6394 | 2580006362 | 25010S6093 |
| | 12"-DN300 | 25010S6360 | 25010S6394 | 2580006362 | 25010S6093 |
| | 14"-DN350 | 25010S6360 | 25010S6394 | 2580006362 | 25010S6093 |
| | 16"-DN400 | 25160S6360 | 25160S6394 | 2516006362 | 25160S6093 |
| | 18"-DN450 | 25160S6360 | 25160S6394 | 2516006362 | 25160S6093 |
| 20"-DN500 | 25160S6360 | 25160S6394 | 2516006362 | 25160S6093 | |