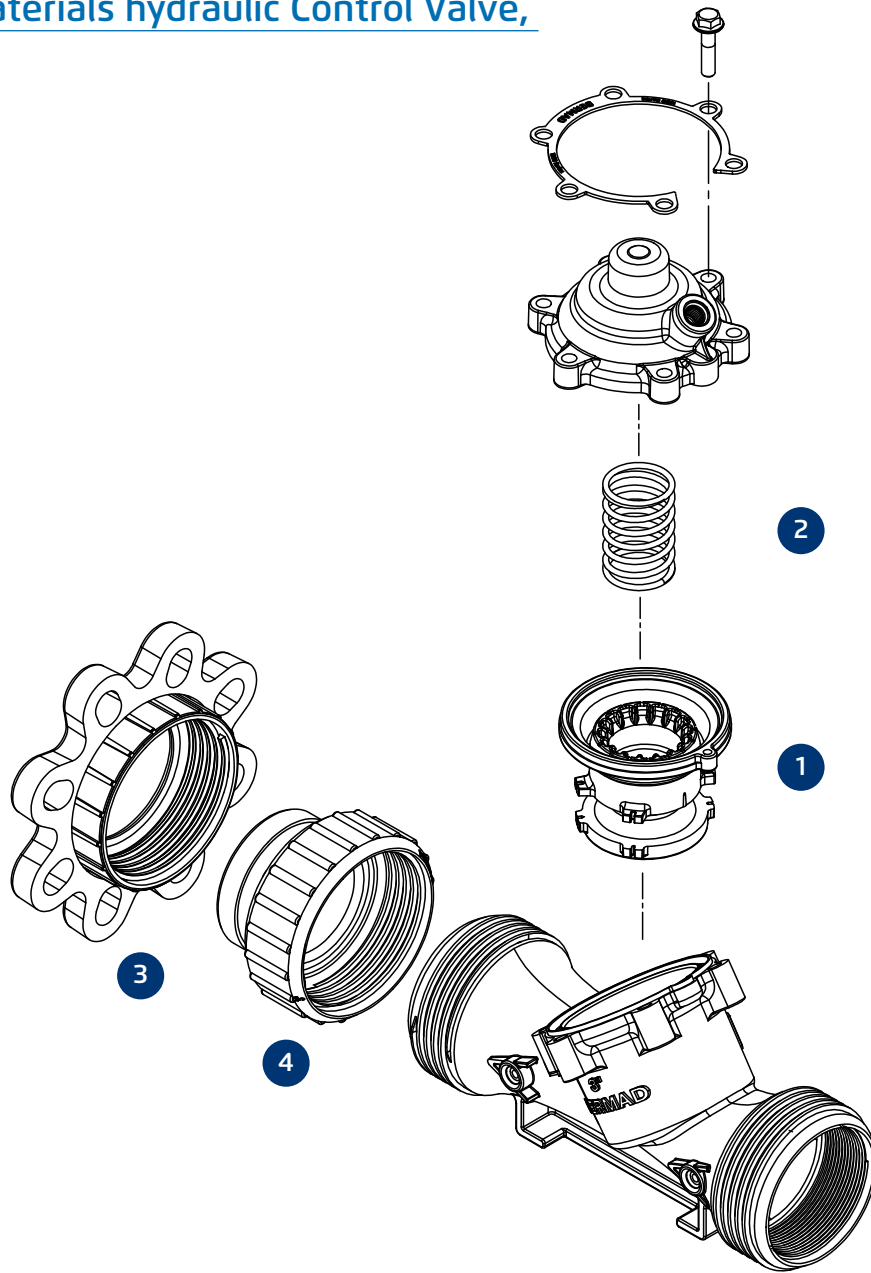


Composite Materials hydraulic Control Valve, PN16; 250 PSI



	Size	1 Plug Assembly	2 Spring	3 Universal Flange Adapter	4 Groove Adapter	
EN	1.5"	1115750H90	1115070006	-		-
	2"	112L750H90	112L071006	-	BSPT	1120750413-KIT
					NPT	1120750213-KIT
	3"	113L750H90	113L071006	11300P6191-KIT		113005V075-KIT
4"	1140750H90	114L050006	114L0P6191-KIT		-	
ES	2"	1115750H90	1115070006	-	BSPT	1120750413-KIT
					NPT	1120750213-KIT
	3"	112L750H90	112L071006	11300P6191-KIT		113005V075-KIT
	4"	113L750H90	113L071006	11400P6191-KIT		113005V100-KIT
	6"	1140750H90	114L050006	116R0P6191-KIT		-

* Drawings are for illustration purposes only