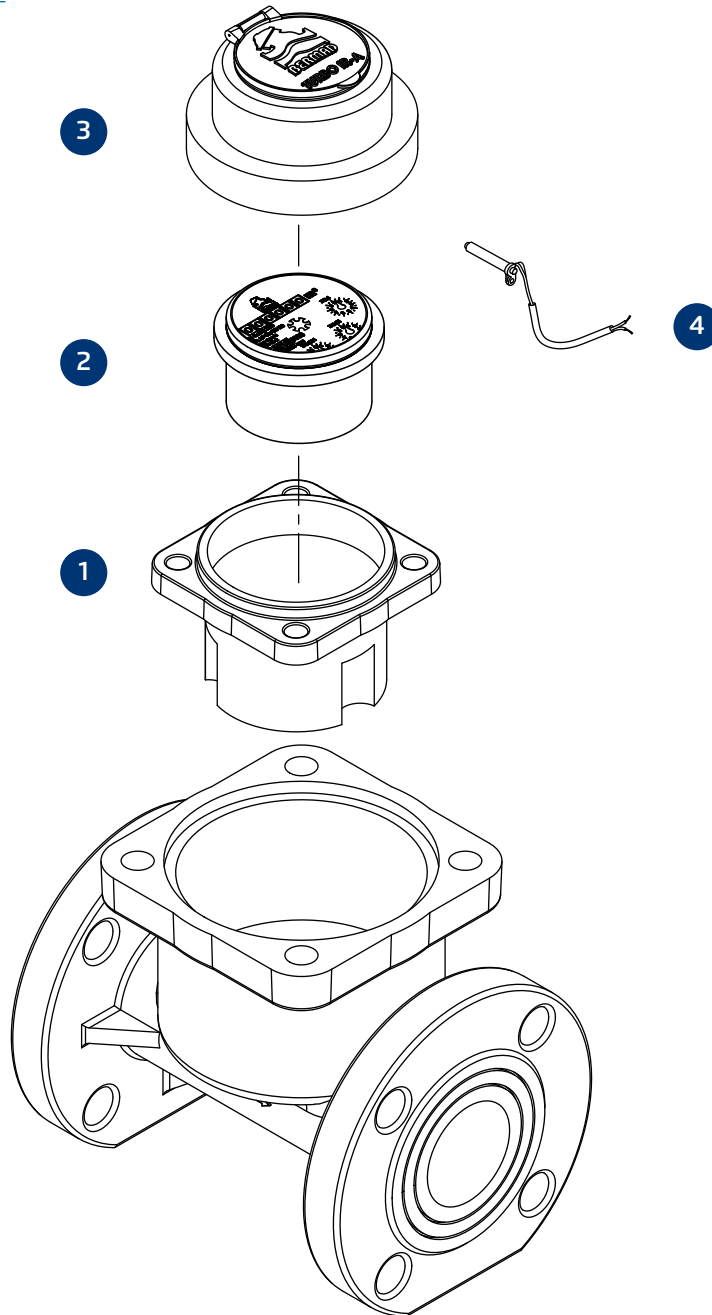




Turbo IR Water Meter



Size	1 Measuring element assy w/o register	2(*) Register	3 Register cover assy kit	4 Reed Switch
2"-DN50	WM4X050U000	ERPW000000_S	ER0000K002	16008M2285
2 ½"-DN65				
3"-DN80				
4"-DN100				
5"-DN125				
6"-DN150				
8"-DN200				
10"-DN250				
12"-DN300				

(*) Not programmed, please specify water meter model, diameter, pulse size and flow unit

* Drawings are for illustration purposes only