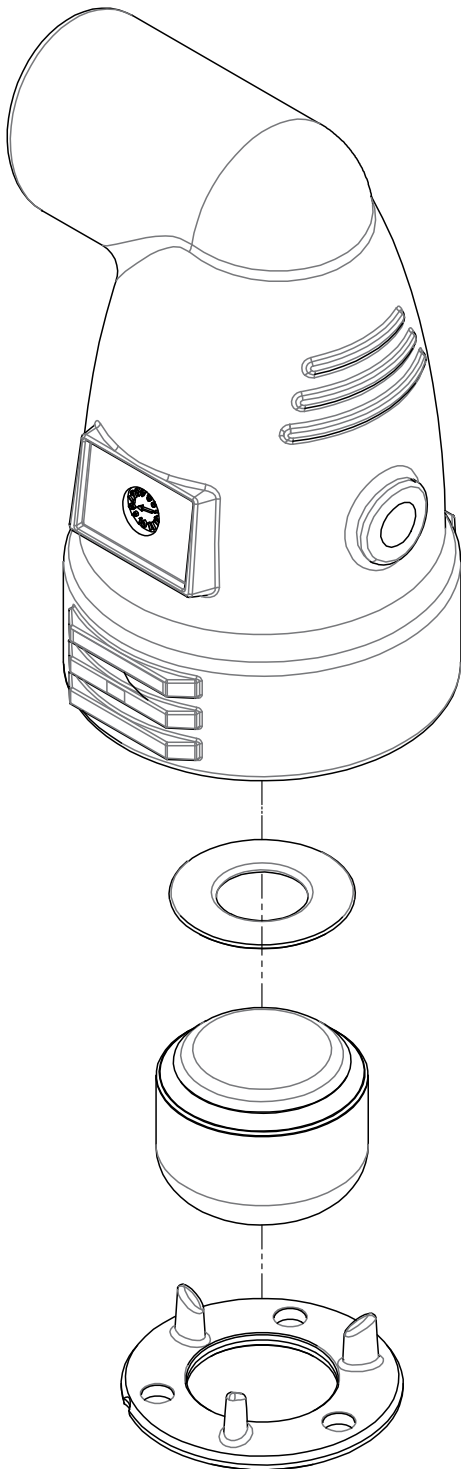
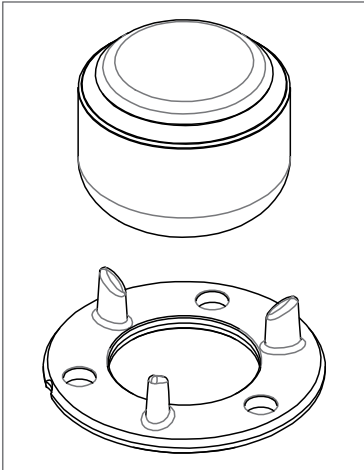


K10 Kinetic (Air / Vacuum) Air Valve - 2"; DN50



61



Internals

Inlet connection size	61 Float Assy.
2" ; DN50	8620K80090-KIT

* Drawings are for illustration purposes only