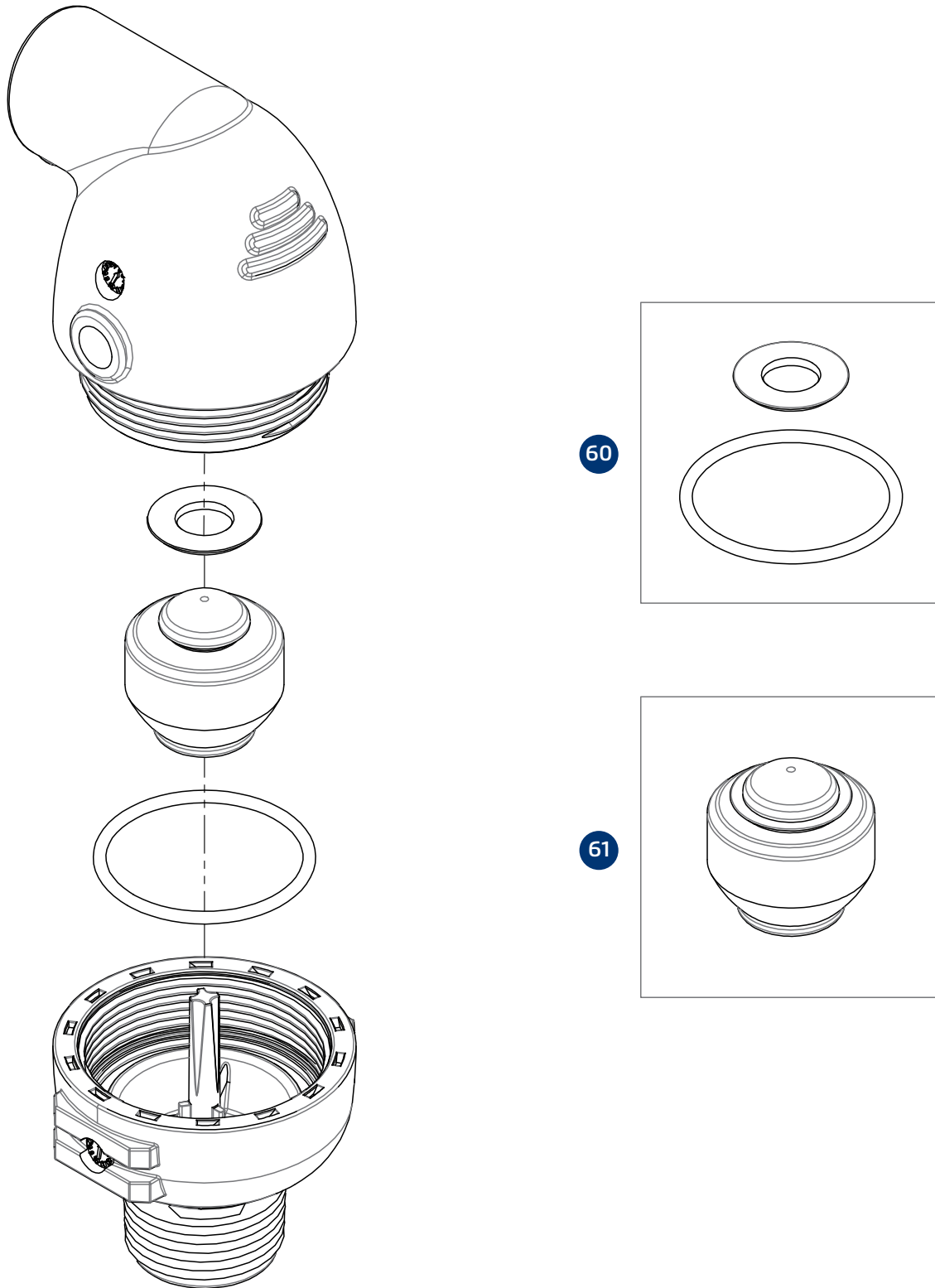


K10 Kinetic (Air / Vacuum) Air Valve - 3/4-1"; DN20-25



Internals

Inlet connection size	60 Elastomers Kit	61 Float Assy.
3/4-1" ; DN20-25	8910K30060-KIT	8610K80090

* Drawings are for illustration purposes only