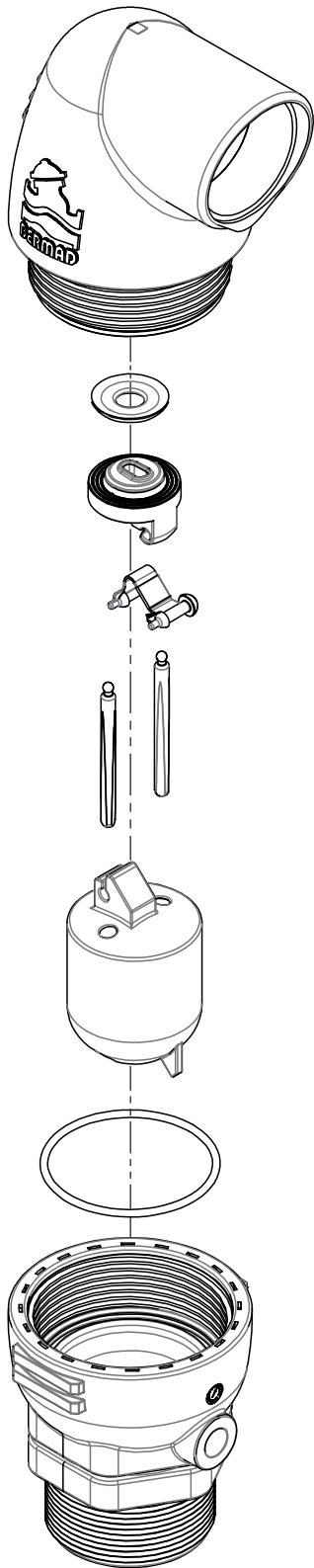
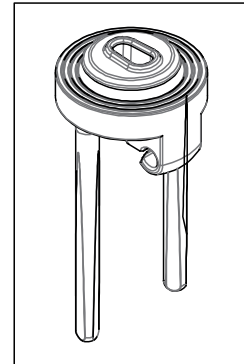


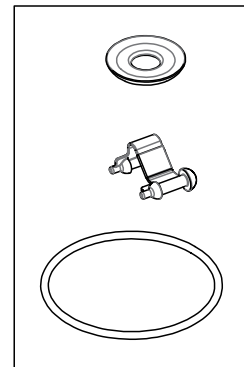
C15 Combination Air Valve - 2"; DN50



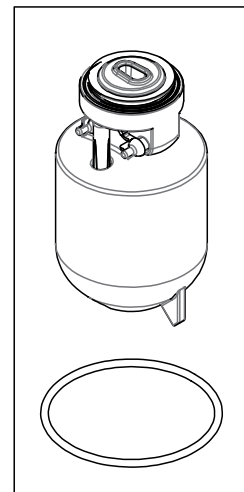
40



60



61



Inlet connection size	40 Kinetic Plug + Legs Kit	60 Elastomers Kit	61 Float Assy.
2" ; DN50	8610C90040-KIT	8910C30060-KIT	8607C80090-KIT

* Drawings are for illustration purposes only