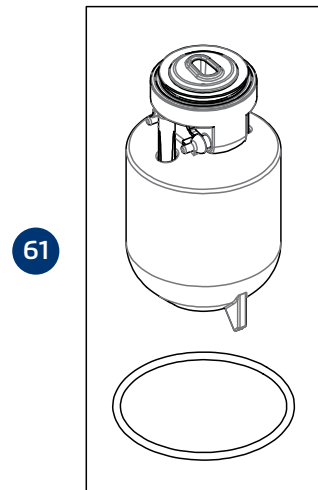
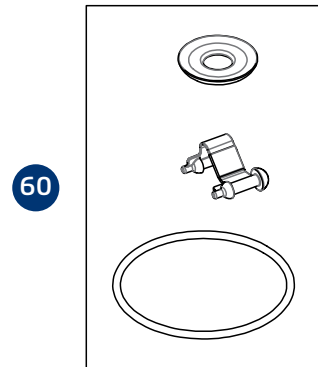
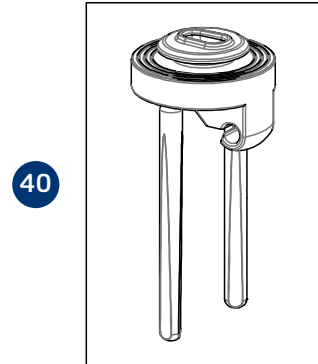
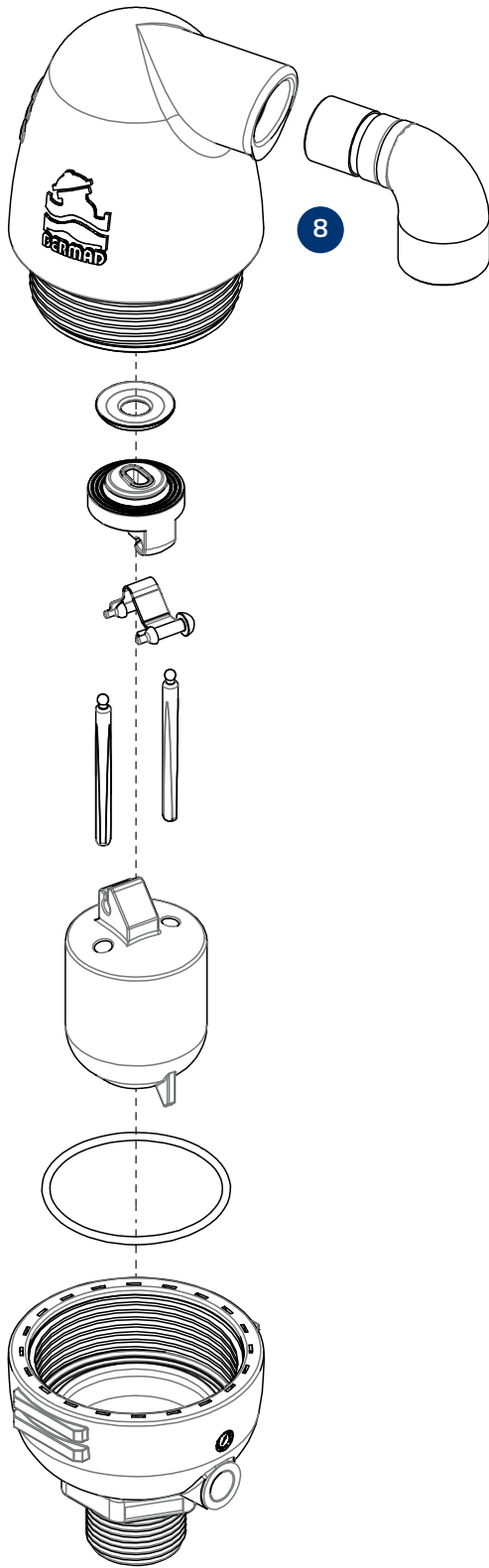


C10 Combination Air Valve - 3/4-1"; DN20-25



Inlet connection size	40 Kinetic Plug + Legs Kit	60 Elastomers Kit	61 Float Assy.	8 90 Degrees Elbow
3/4-1" ; DN20-25	8610C90040-KIT	8910C30060-KIT	8607C80090-KIT	8607C80032-Pack

* Drawings are for illustration purposes only