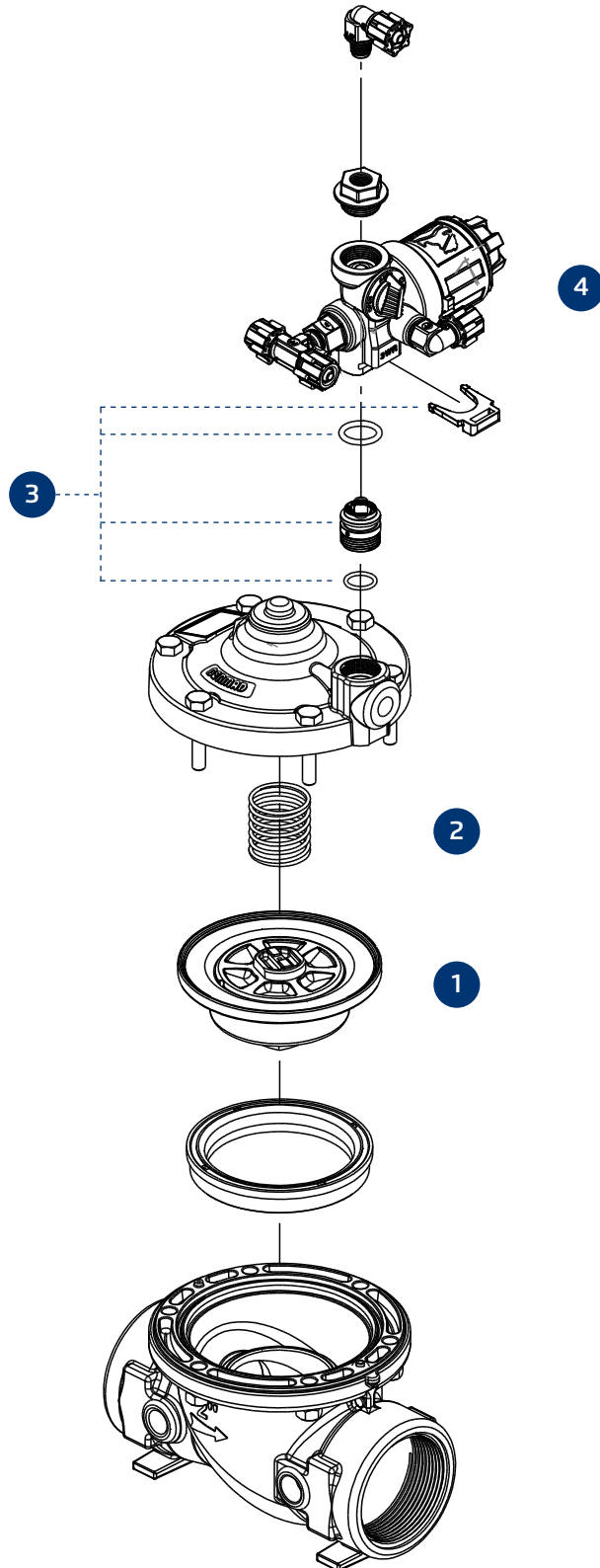


TOP PILOT 3W Valves



Size	1 Diaphragm Assy	2 Spring	3 TOP PILOT adaptor kit	4 TOP PILOT
1½"-DN40	2320160092	2220168416	50T8000060-KIT	50T8X50200 (bar)
2"-DN50				50T8X50300 (psi)

* Drawings are for illustration purposes only