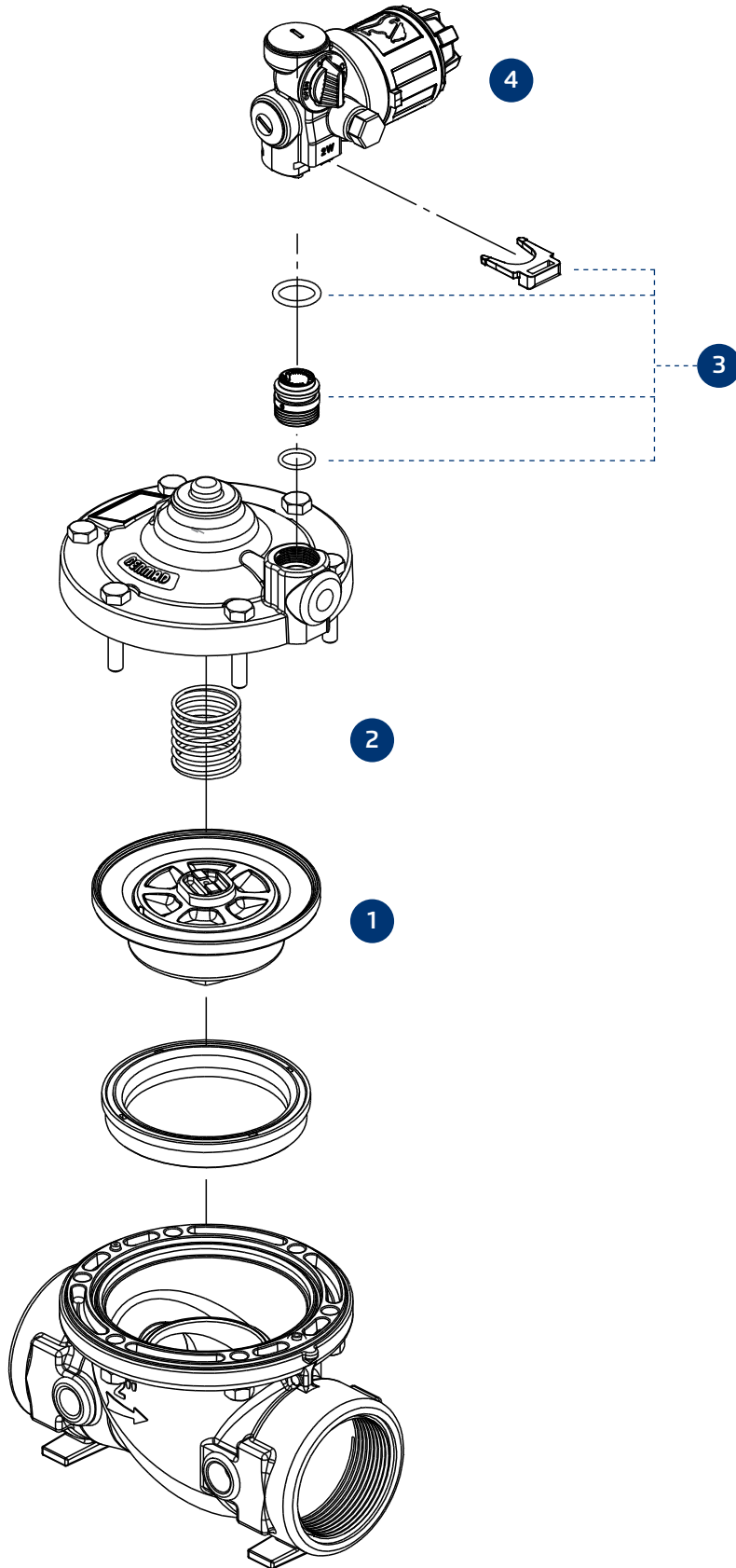


TOP PILOT 2W Valves



Size	1 Diaphragm Assy	2 Spring	3 TOP PILOT adaptor kit	4 TOP PILOT
1½"-DN40	2320160092	2220160416	50T8000060-KIT	50T8C50300 (bar)
2"-DN50				50T8C50400 (psi)

* Drawings are for illustration purposes only