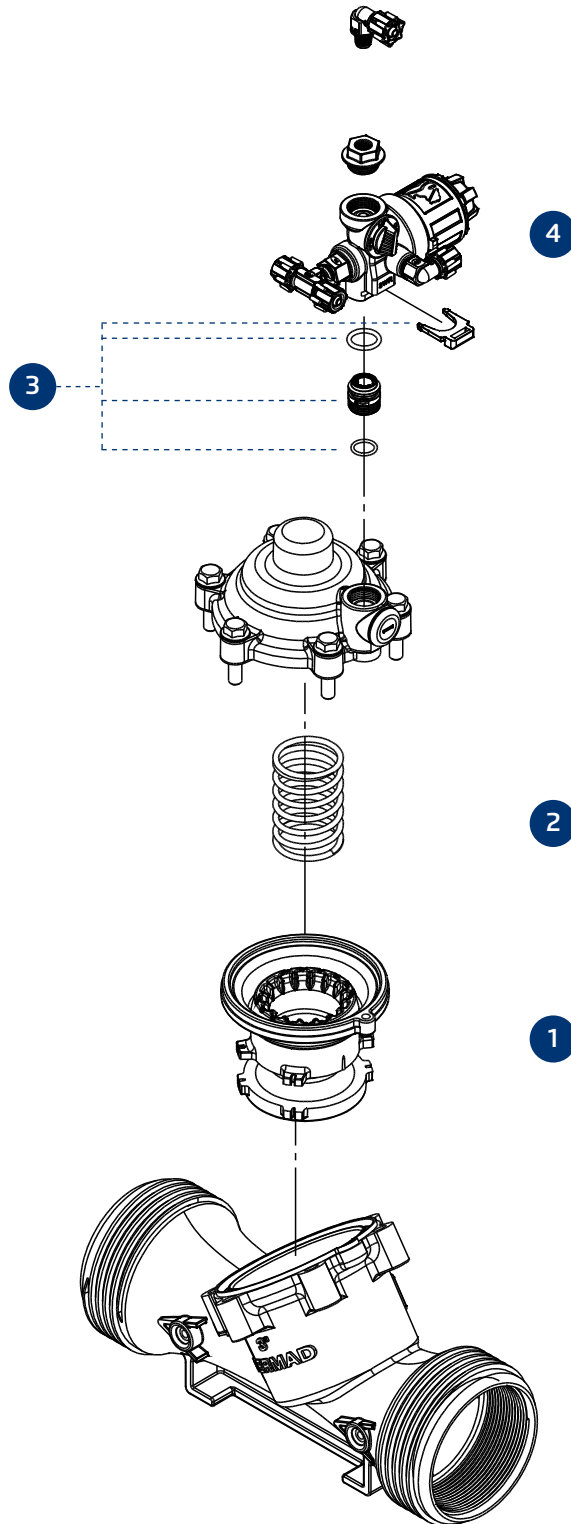


Top Pilot Valves



Size	1 Plug Assembly	2 Spring	3 Adaptor Kit	4 TOP PILOT Assembly
1½"-DN40	1115060090	1115070006	50T8000060-KIT	50T8X50200 (bar) 50T8X50300 (psi)
2"-DN50				
2"L-DN50L	112L060190	112L071006		
2½"-DN65				
3"-DN80				
3"-DN80 (T & Double)		112L073006		

* Drawings are for illustration purposes only