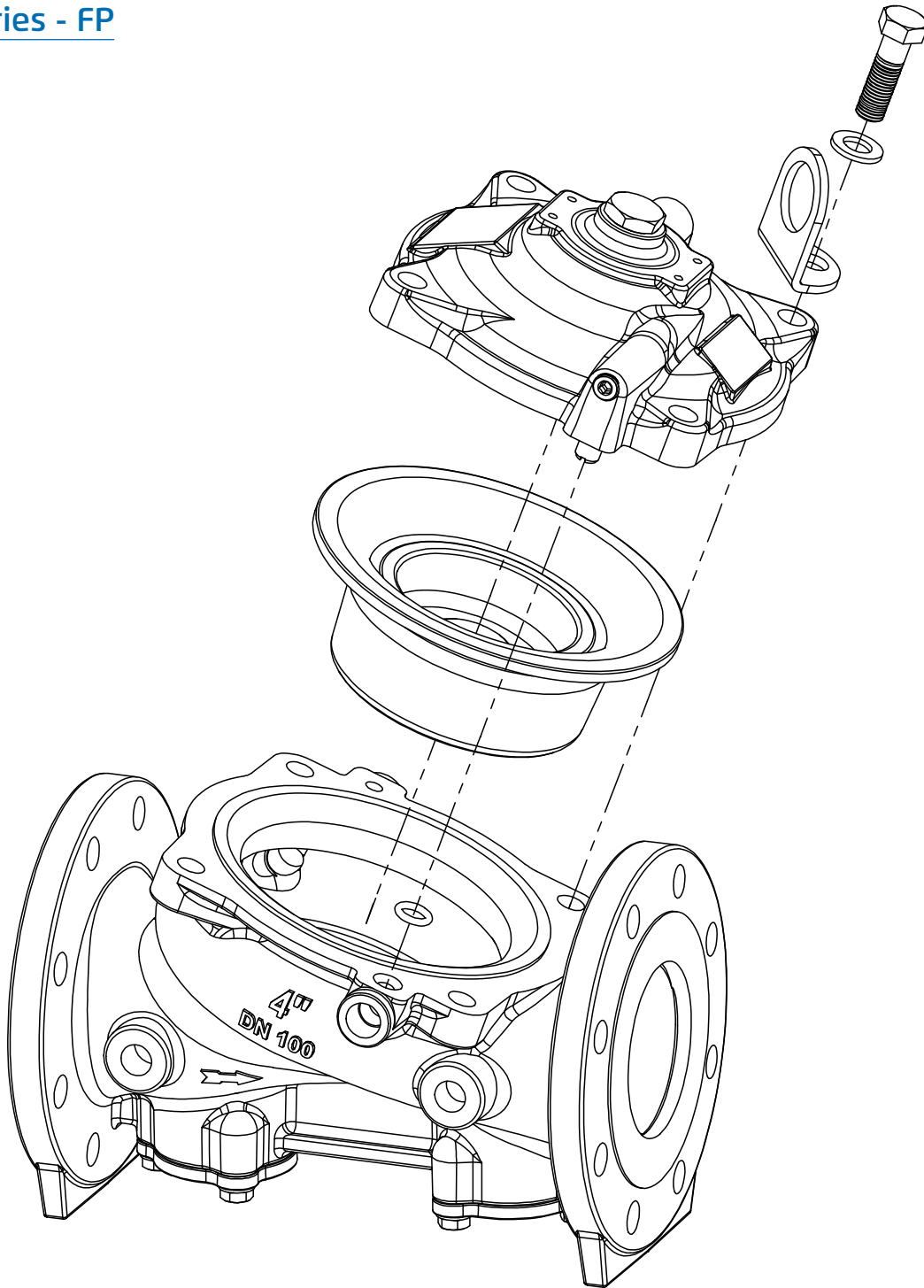


400Y Series - FP



Size	Elastomer Kit Assembly HTNR
1½"-2"-2½"	242000002A
3"	243000002A
4"	244000002A
6"	246000002A
8"-10"	248000002A
12"-14"-16"	241200002A

NOTES:

1. Elastomer kit assemblies are suitable for all 400Y configuration bodies and materials.
2. These assemblies are suitable for linear indicator only, consult BERMAD if rotating type is needed.

* Drawings are for illustration purposes only