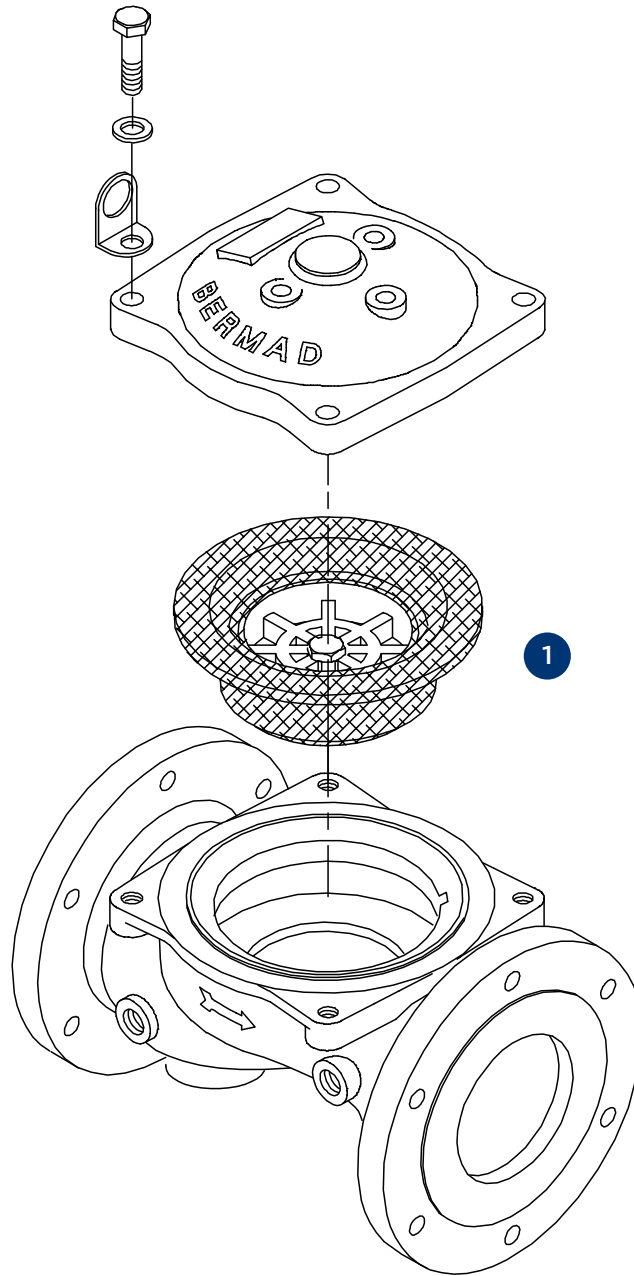


## FP/FS/FC 400E – Fire Protection



Size	Elastomer Kit Assembly <sup>(2)</sup> NR/HTNR
1½"-2"	292FP04090
2½" <sup>(1)</sup>	2925FP4090
3"	293FP04090
4"	294FP04090
6"	296FP04090
8"-10"	298FPL4090
12"	2912FP4090

NOTES:

<sup>(1)</sup> 2½" diaphragm for Ductile Iron body only.

<sup>(2)</sup> Elastomer kit assemblies are suitable for all body materials.

\* Drawings are for illustration purposes only